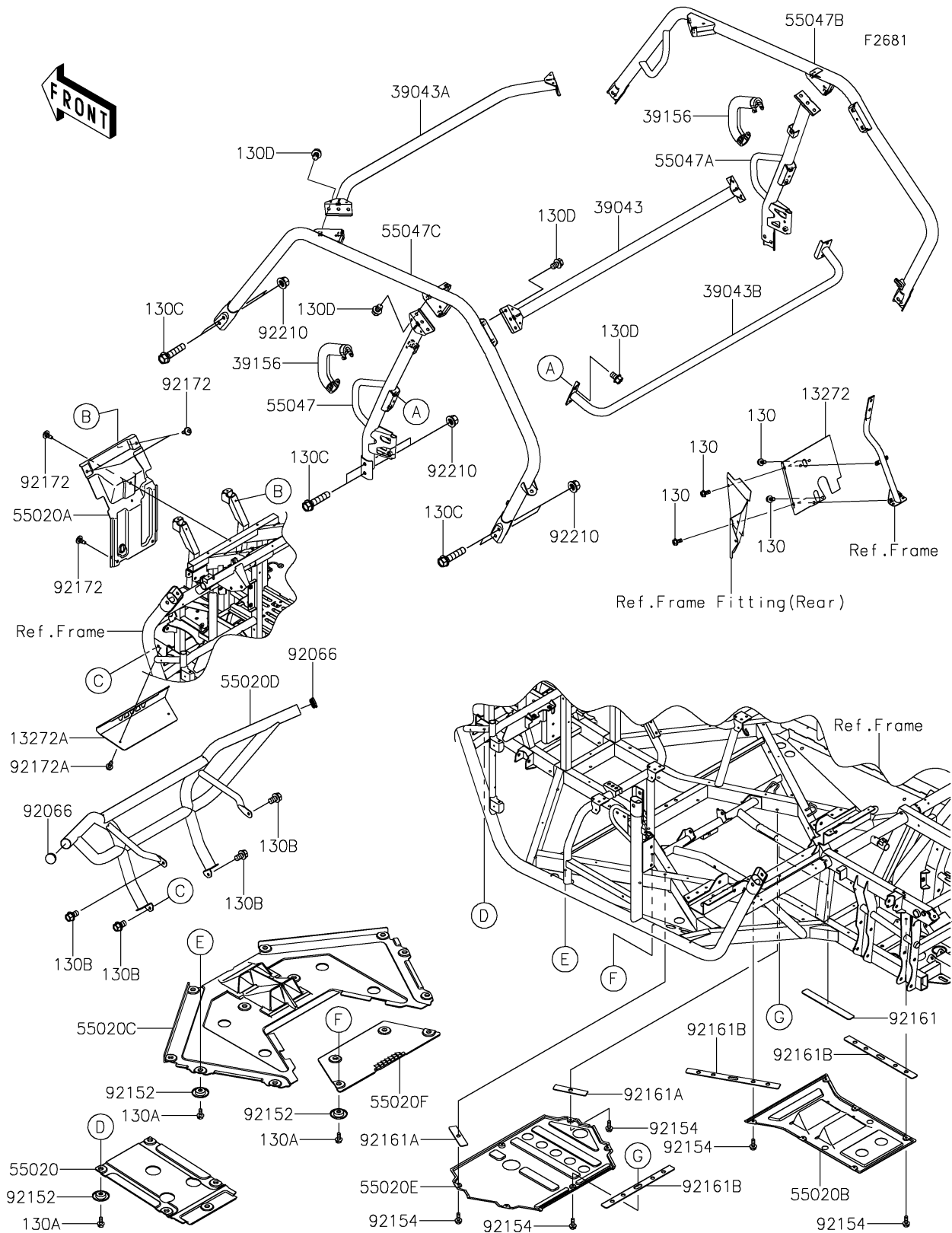


# 2022 Teryx PARTS DIAGRAM

Guards/Cab Frame



## 2022 Teryx PARTS LIST

### Guards/Cab Frame

ITEM NAME	PART NUMBER	QUANTITY
PLATE (Ref # 13272)	13272-2064	1
PLATE,FRONT,T.BLACK (Ref # 13272A)	13272-2232-388	1
CROSSMEMBER-COMP,UPP,RR,T.BLK (Ref # 39043)	39043-0009-388	1
CROSSMEMBER-COMP,UPP,FR,T.BLK (Ref # 39043A)	39043-0010-388	1
CROSSMEMBER-COMP,T.BLACK (Ref # 39043B)	39043-0015-388	1
PAD,SHOULDER (Ref # 39156)	39156-0939	2
GUARD,SKID,FR (Ref # 55020)	55020-0723	1
GUARD,FR FRAME (Ref # 55020A)	55020-0741	1
GUARD,SKID,RR (Ref # 55020B)	55020-0812	1
GUARD,SKID,FR MIDDLE (Ref # 55020C)	55020-0890	1
GUARD,FRONT,T.BLACK (Ref # 55020D)	55020-1859-388	1
GUARD,SKID,CNT (Ref # 55020E)	55020-1884	1
GUARD (Ref # 55020F)	55020-1951	1
BAR-COMP,B-PILLAR,LH,T.BLACK (Ref # 55047)	55047-0359-388	1
BAR-COMP,B-PILLAR,RH,T.BLACK (Ref # 55047A)	55047-0360-388	1
BAR-COMP,A-PILLAR,RH,T.BLACK (Ref # 55047B)	55047-0372-388	1
BAR-COMP,A/C-PILLAR,LH,T.BLACK (Ref # 55047C)	55047-0373-388	1
PLUG,42MM (Ref # 92066)	92066-0830	2
COLLAR (Ref # 92152)	92152-0784	19
BOLT,FLANGED,6X16 (Ref # 92154)	92154-0887	12
DAMPER,32X270X3 (Ref # 92161)	92161-1597	1
DAMPER,32X140X3 (Ref # 92161A)	92161-1598	2
DAMPER,32X390X3 (Ref # 92161B)	92161-2429	5
SCREW,6X16 (Ref # 92172)	92172-0826	4
SCREW,TAPPING,6X16 (Ref # 92172A)	92172-1388	2
NUT,12MM (Ref # 92210)	92210-0603	12
BOLT-FLANGED,6X12 (Ref # 130)	130BA0612	6
BOLT-FLANGED,6X14 (Ref # 130A)	130BA0614	19
BOLT-FLANGED,10X16 (Ref # 130B)	130BA1016	4

## 2022 Teryx PARTS LIST

Guards/Cab Frame

ITEM NAME	PART NUMBER	QUANTITY
BOLT-FLANGED,12X55 (Ref # 130C)	130BA1255	12
BOLT-FLANGED,10X14 (Ref # 130D)	130CA1014	16