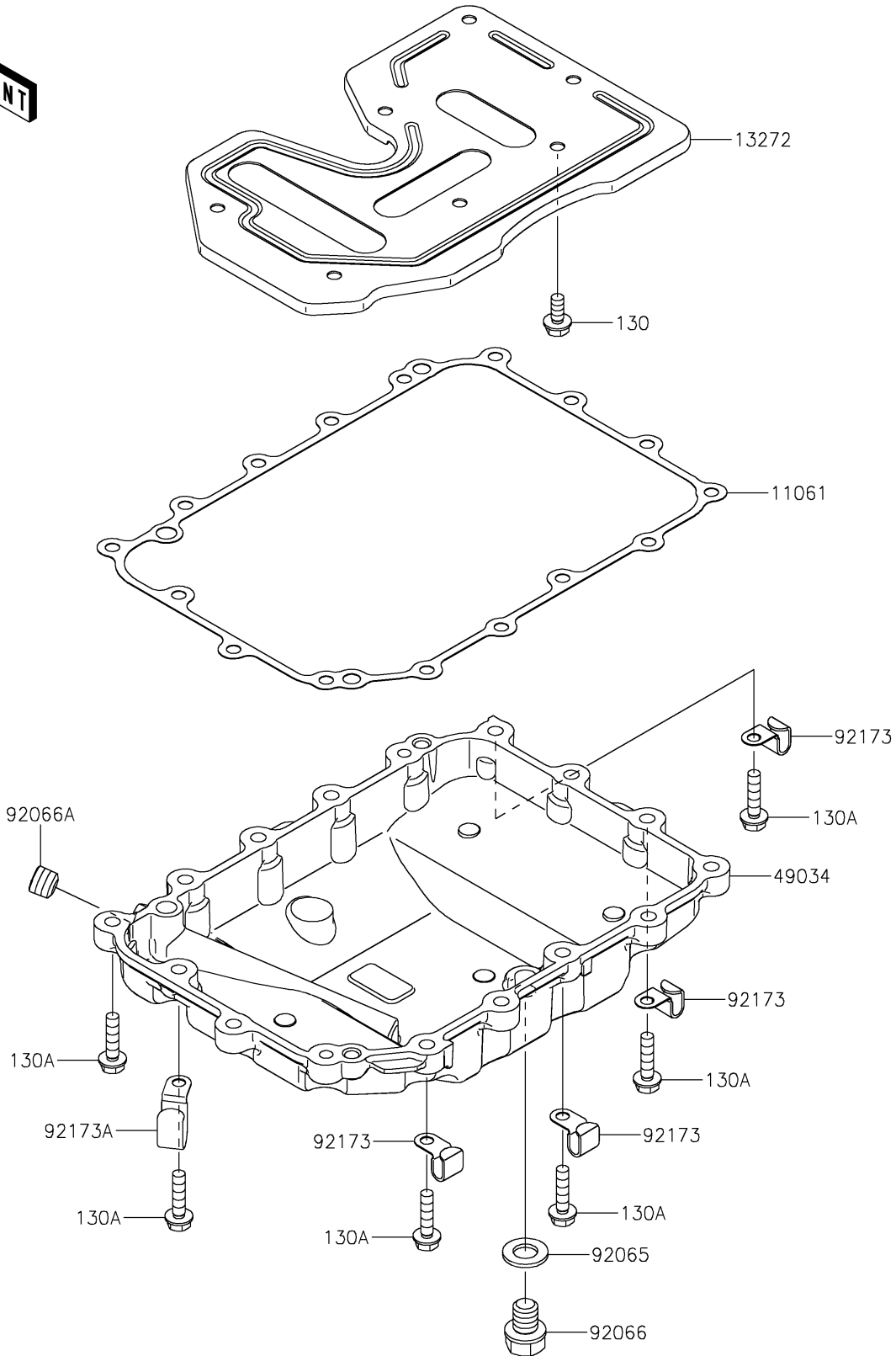


# 2025 RIDGE® RANCH EDITION PARTS DIAGRAM

Oil Pan

E1434



## 2025 RIDGE® RANCH EDITION PARTS LIST

### Oil Pan

| ITEM NAME                          | PART NUMBER | QUANTITY |
|------------------------------------|-------------|----------|
| GASKET,OIL PAN (Ref # 11061)       | 11061-1453  | 1        |
| PLATE,OIL PAN (Ref # 13272)        | 13272-4094  | 1        |
| PAN-OIL (Ref # 49034)              | 49034-0583  | 1        |
| GASKET,12X22X2 (Ref # 92065)       | 92065-097   | 1        |
| PLUG,OIL DRAIN,12X15 (Ref # 92066) | 92066-1174  | 1        |
| PLUG (Ref # 92066A)                | 92066-1597  | 1        |
| CLAMP,12X45 (Ref # 92173)          | 92173-1839  | 4        |
| CLAMP (Ref # 92173A)               | 92173-2588  | 1        |
| BOLT-FLANGED,6X14 (Ref # 130)      | 130BA0614   | 7        |
| BOLT-FLANGED,6X25 (Ref # 130A)     | 130BA0625   | 16       |