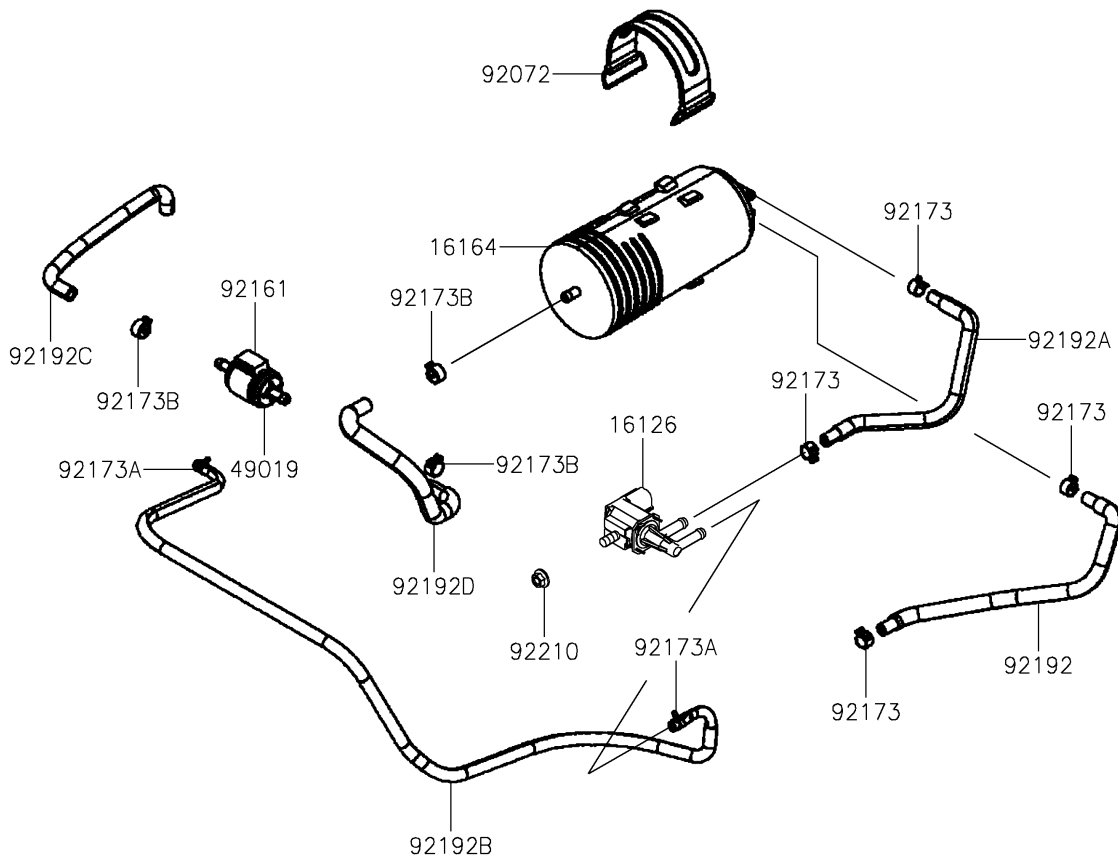


# 2021 MULE PRO-MX™ EPS LE PARTS DIAGRAM

Fuel Evaporative System(CA)

E1650



## 2021 MULE PRO-MX™ EPS LE PARTS LIST

Fuel Evaporative System(CA)

ITEM NAME	PART NUMBER	QUANTITY
VALVE,SOLENOID (Ref # 16126)	16126-0705	1
CANISTER (Ref # 16164)	16164-Y003	1
FILTER-FUEL (Ref # 49019)	49019-Y002	1
BAND,L=168 (Ref # 92072)	92072-1306	1
DAMPER (Ref # 92161)	92161-Y039	1
CLAMP (Ref # 92173)	92173-Y083	4
CLAMP (Ref # 92173A)	92173-Y085	2
CLAMP (Ref # 92173B)	92173-Y086	3
TUBE,CHECK VALVE-CANISTER (Ref # 92192)	92192-Y063	1
TUBE,CANISTER-VALVE (Ref # 92192A)	92192-Y064	1
TUBE,VALVE-VACUUM (Ref # 92192B)	92192-Y065	1
TUBE,AIR FILTER (Ref # 92192C)	92192-Y066	1
TUBE,AIR FILTER-CANISTER (Ref # 92192D)	92192-Y067	1
NUT,6MM (Ref # 92210)	92210-Y026	1