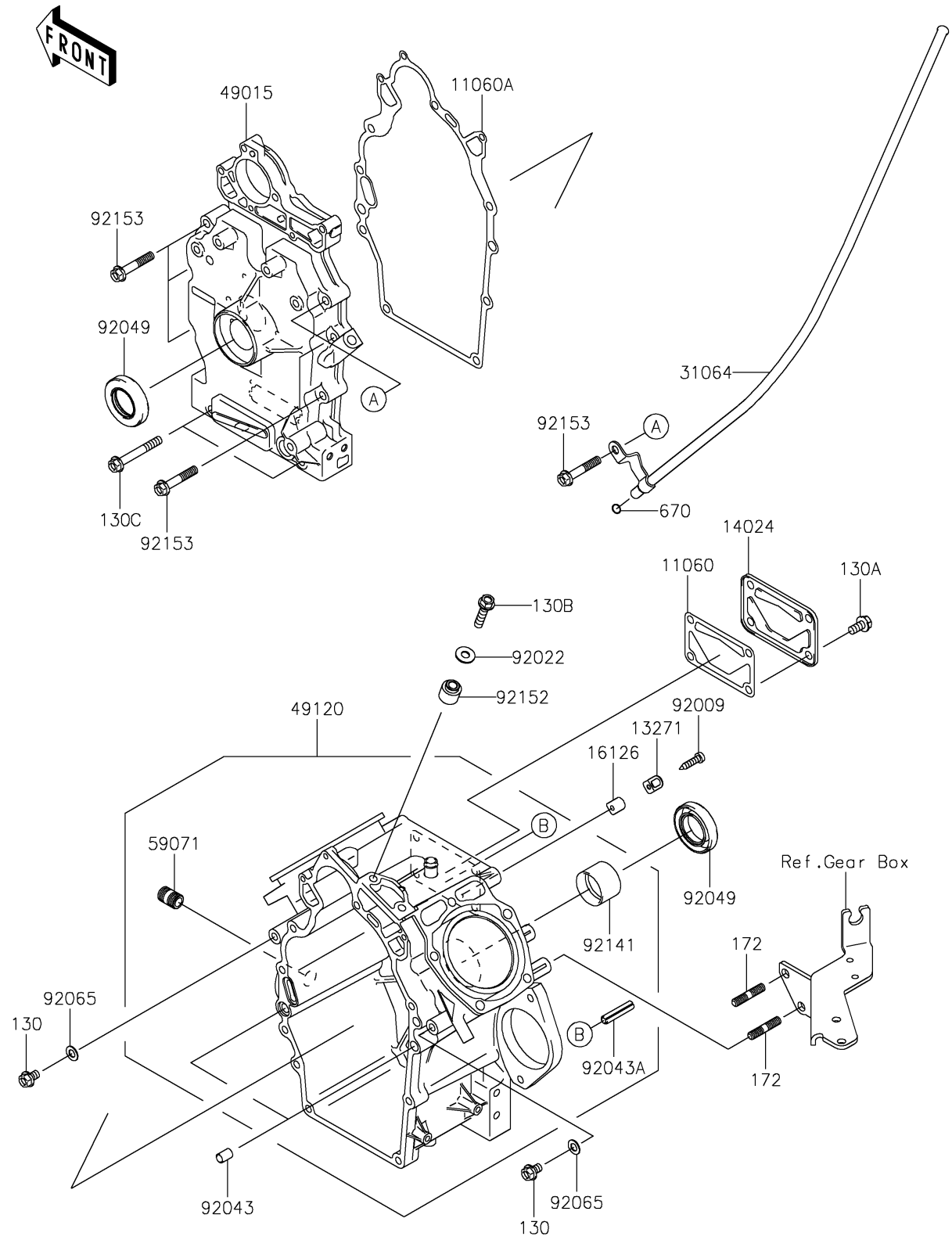


2021 MULE 4000 TRANS™ PARTS DIAGRAM

Crankcase

E1411



2021 MULE 4000 TRANS™ PARTS LIST

Crankcase

ITEM NAME	PART NUMBER	QUANTITY
-----------	-------------	----------