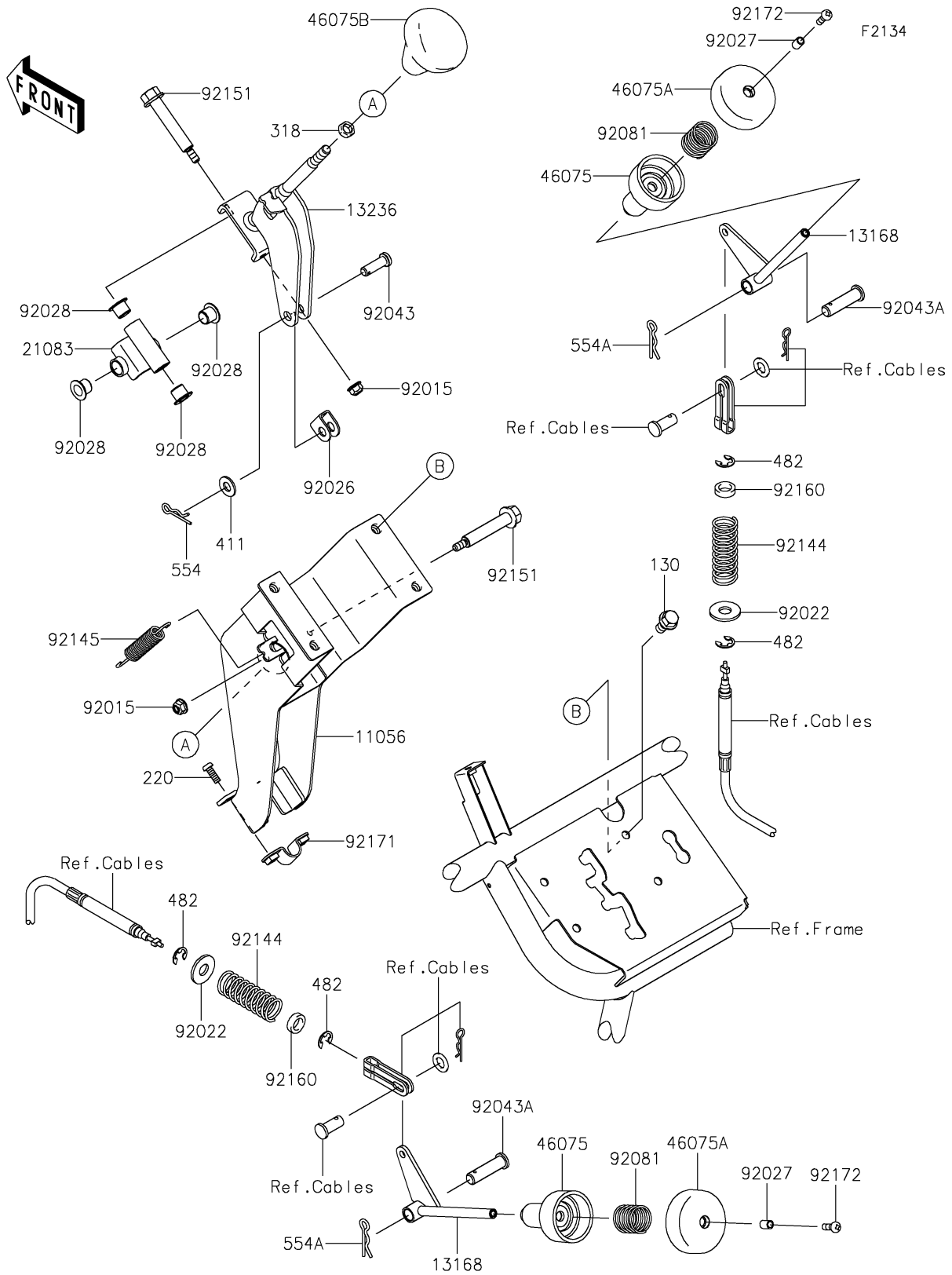


2020 MULE SX™ 4x4 XC LE FI PARTS DIAGRAM

Shift Lever(s)



2020 MULE SX™ 4x4 XC LE FI PARTS LIST

Shift Lever(s)

| ITEM NAME | PART NUMBER | QUANTITY |
|------------------------------------|-------------|----------|
| BRACKET,SHIFT LEVER (Ref # 11056) | 11056-2237 | 1 |
| BOLT-FLANGED,8X16 (Ref # 130) | 130BA0816 | 1 |
| LEVER (Ref # 13168) | 13168-0069 | 1 |
| LEVER-COMP,SHIFT (Ref # 13236) | 13236-0073 | 1 |
| ARM (Ref # 21083) | 21083-0023 | 1 |
| SCREW-PAN-CROS,5X14 (Ref # 220) | 220AA0514 | 1 |
| NUT-HEX-SMALL (Ref # 318) | 318BB0800 | 1 |
| WASHER-PLAIN,8MM (Ref # 411) | 411AA0800 | 1 |
| GRIP (Ref # 46075) | 46075-0012 | 1 |
| GRIP (Ref # 46075A) | 46075-0014 | 1 |
| GRIP,SHIFT (Ref # 46075B) | 46075-0046 | 1 |
| CIRCLIP-TYPE-E,8MM (Ref # 482) | 482EA8000 | 1 |
| PIN-SNAP (Ref # 554) | 554DA0800 | 1 |
| PIN-SNAP,10MM (Ref # 554A) | 554DA1000 | 1 |
| NUT,LOCK,FLANGED,6MM (Ref # 92015) | 92015-1675 | 1 |
| WASHER,10.5X26X2.3 (Ref # 92022) | 92022-044 | 1 |
| SPACER (Ref # 92026) | 92026-0074 | 1 |
| COLLAR,5X7X9.3 (Ref # 92027) | 92027-1313 | 1 |
| BUSHING (Ref # 92028) | 92028-1507 | 1 |
| PIN (Ref # 92043) | 92043-0053 | 1 |
| PIN,10X34 (Ref # 92043A) | 92043-1069 | 1 |
| SPRING (Ref # 92081) | 92081-1714 | 1 |
| SPRING (Ref # 92144) | 92144-1510 | 1 |
| SPRING (Ref # 92145) | 92145-0249 | 1 |
| BOLT,6MM (Ref # 92151) | 92151-1747 | 1 |
| DAMPER (Ref # 92160) | 92160-3754 | 1 |
| CLAMP (Ref # 92171) | 92171-0365 | 1 |
| SCREW (Ref # 92172) | 92172-7501 | 1 |