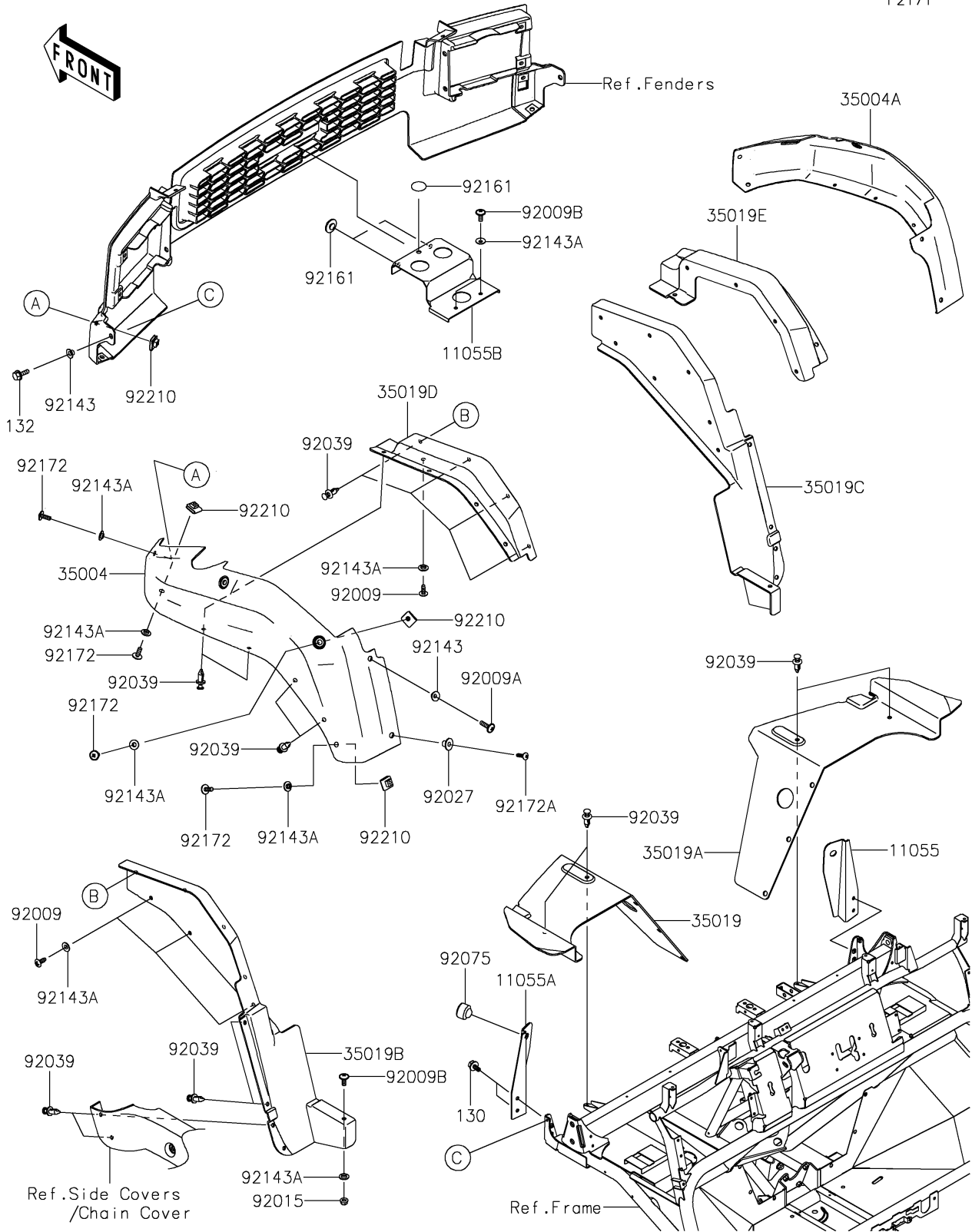


# 2021 MULE 4000 TRANS™ PARTS DIAGRAM

## Front Fender(s)

F2171



# 2021 MULE 4000 TRANS™ PARTS LIST

Front Fender(s)

ITEM NAME	PART NUMBER	QUANTITY
-----------	-------------	----------