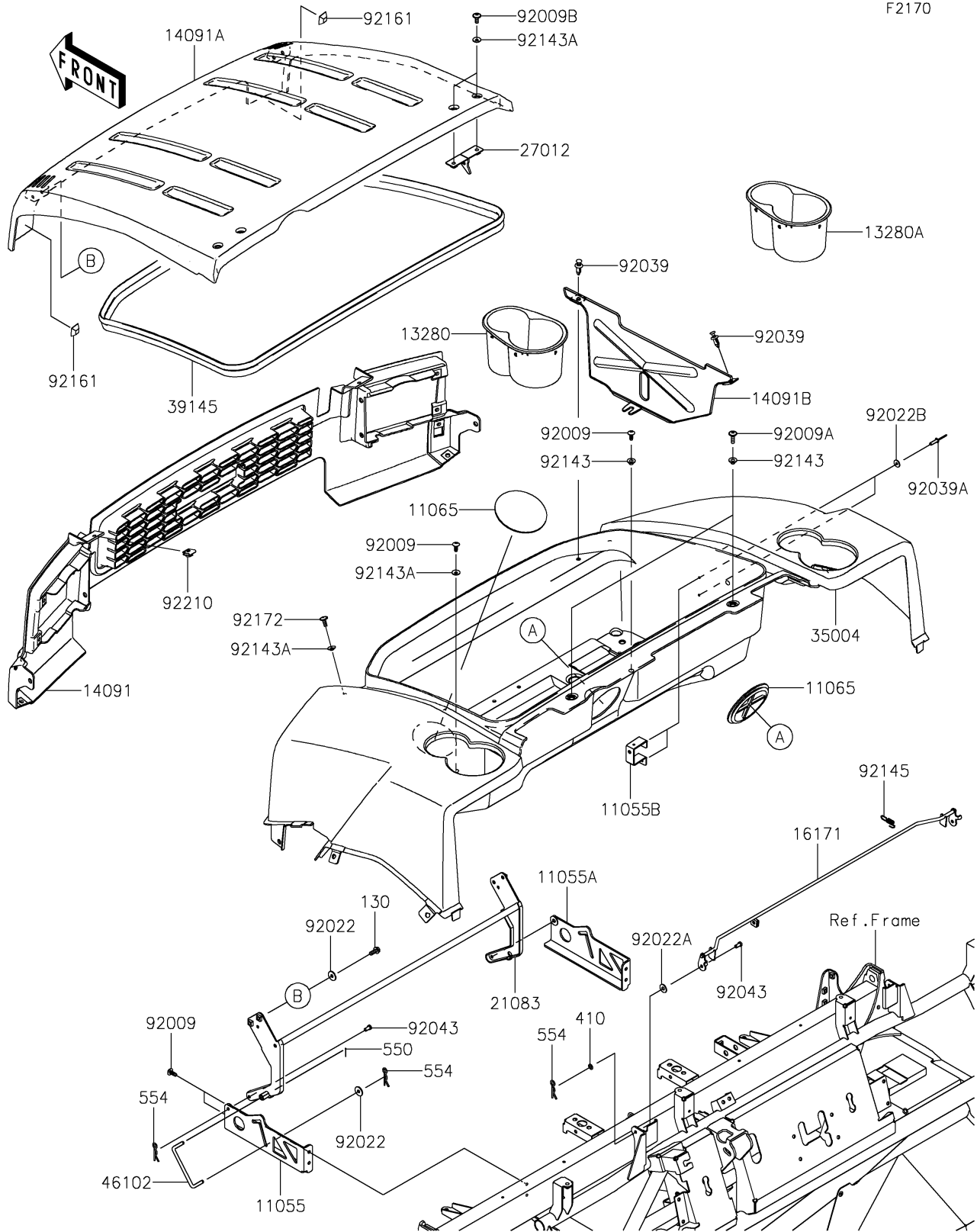


2021 MULE 4000 TRANS™ PARTS DIAGRAM

Fenders



2021 MULE 4000 TRANS™ PARTS LIST

Fenders

ITEM NAME	PART NUMBER	QUANTITY
-----------	-------------	----------