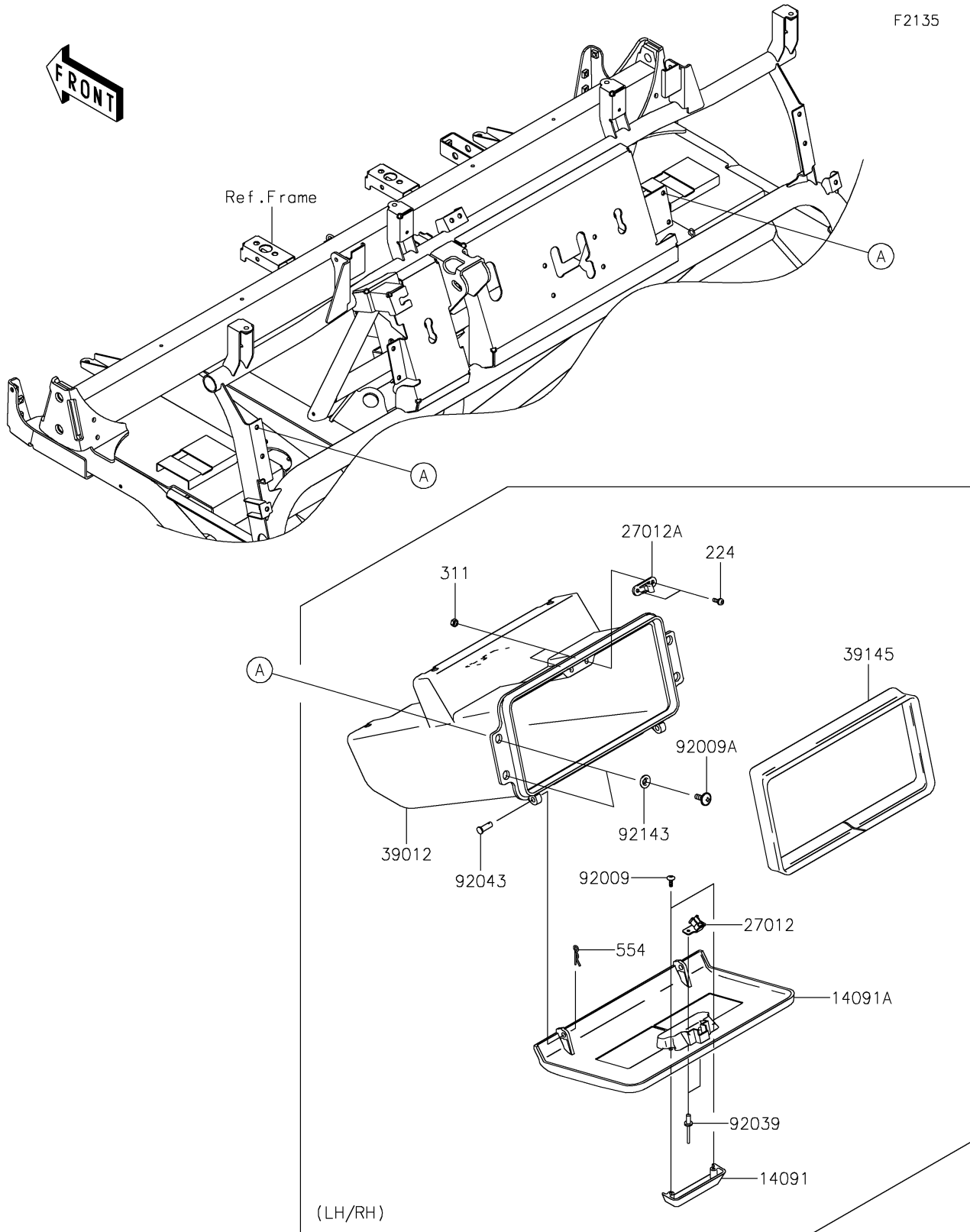


2021 MULE 4000 TRANS™ PARTS DIAGRAM

Front Box

F2135



2021 MULE 4000 TRANS™ PARTS LIST

Front Box

ITEM NAME	PART NUMBER	QUANTITY
-----------	-------------	----------