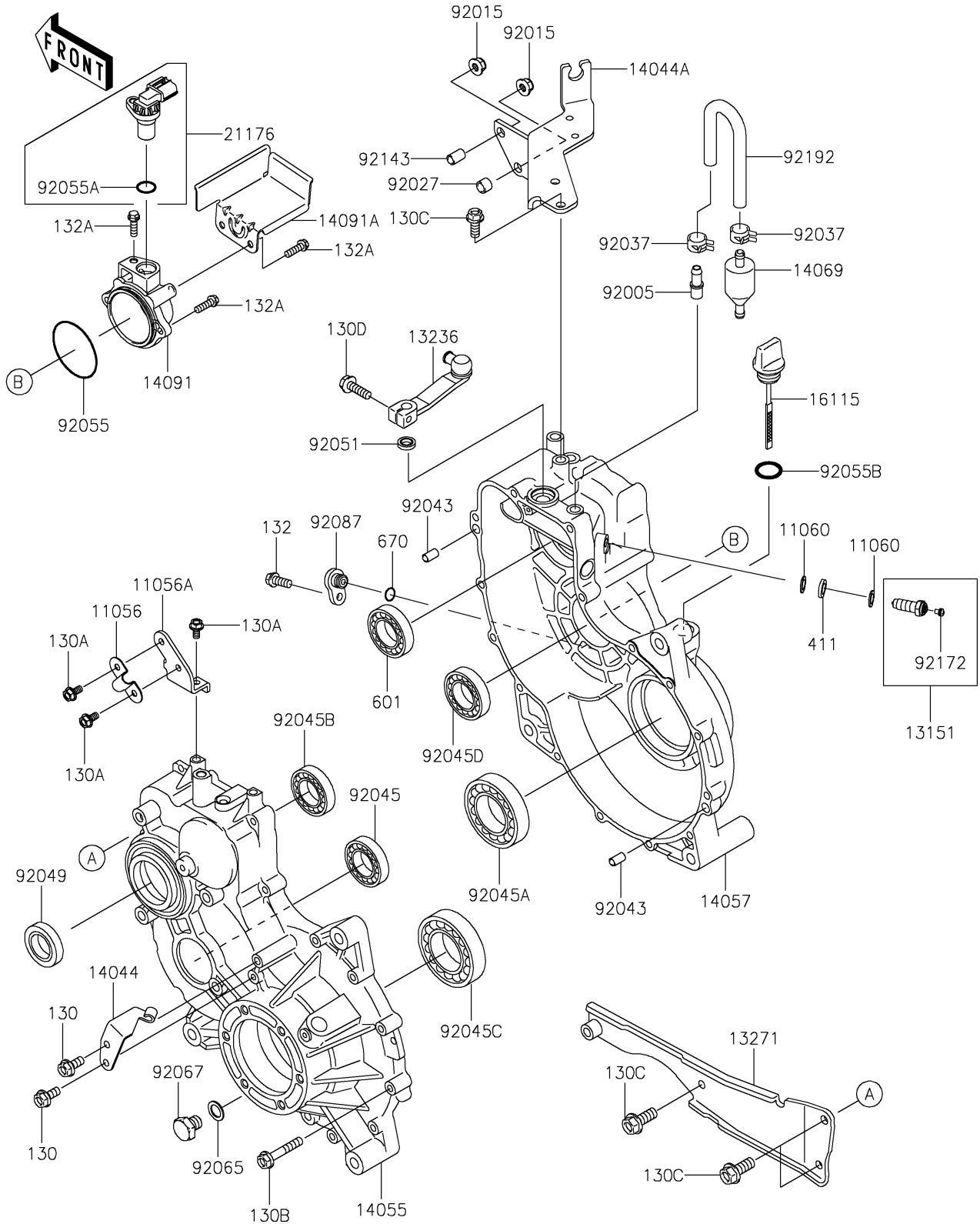


# 2021 MULE 4000 TRANS™ PARTS DIAGRAM

Gear Box

E1450



# 2021 MULE 4000 TRANS™ PARTS LIST

Gear Box

ITEM NAME	PART NUMBER	QUANTITY
-----------	-------------	----------