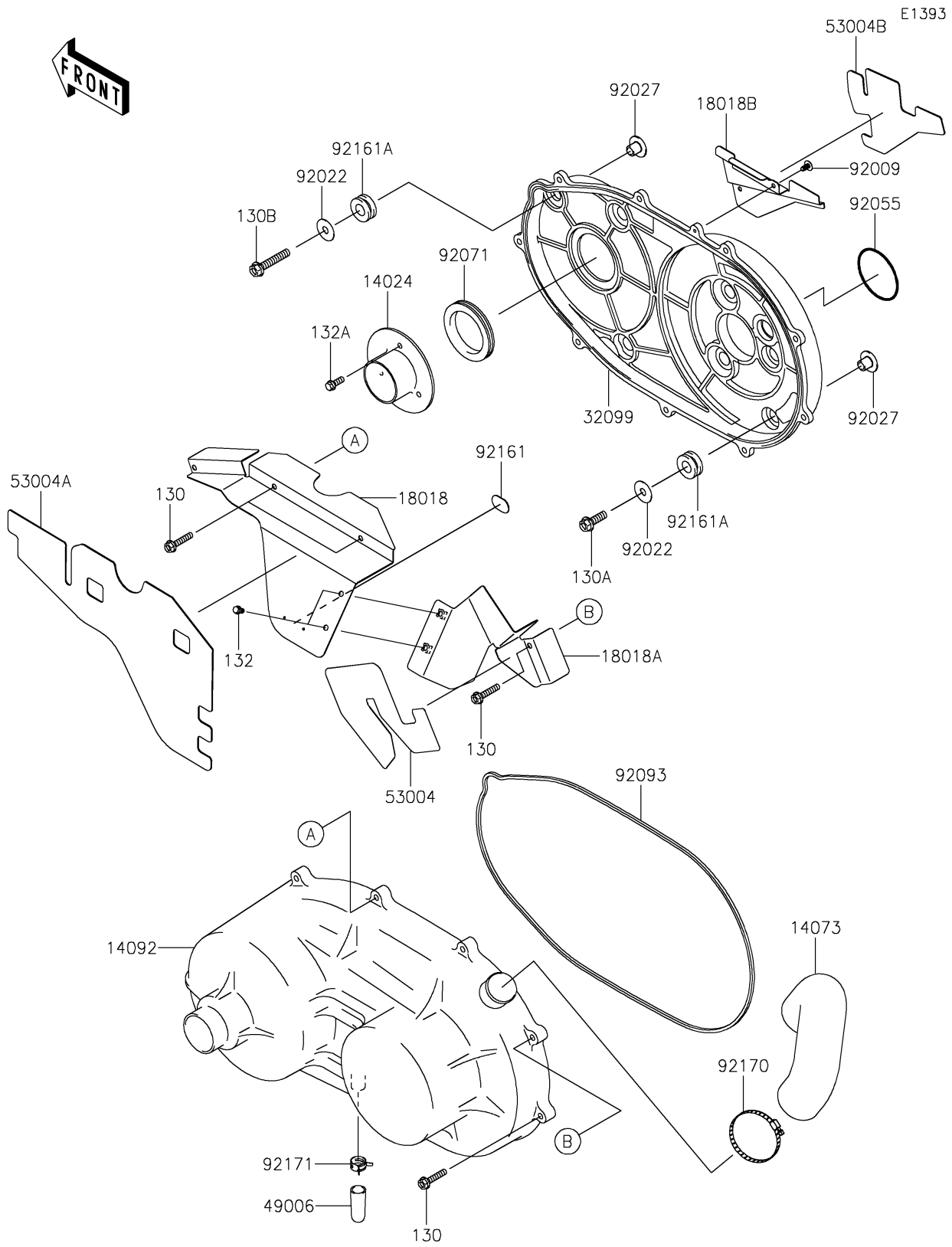


# 2021 MULE 4000 TRANS™ PARTS DIAGRAM

## Converter Cover



## 2021 MULE 4000 TRANS™ PARTS LIST

### Converter Cover

| ITEM NAME                               | PART NUMBER | QUANTITY |
|---|-------------|----------|
| COVER,FAN (Ref # 14024)                 | 14024-1554  | 1        |
| DUCT,EXHAUST (Ref # 14073)              | 14073-0234  | 1        |
| COVER,BELT CONVERTER (Ref # 14092)      | 14092-1035  | 1        |
| PLATE-HEAT GUARD (Ref # 18018)          | 18018-0019  | 1        |
| PLATE-HEAT GUARD (Ref # 18018A)         | 18018-0020  | 1        |
| PLATE-HEAT GUARD (Ref # 18018B)         | 18018-0021  | 1        |
| CASE,BELT CONVERTER (Ref # 32099)       | 32099-0730  | 1        |
| BOOT (Ref # 49006)                      | 49006-1351  | 1        |
| MAT (Ref # 53004)                       | 53004-0645  | 1        |
| MAT (Ref # 53004A)                      | 53004-0646  | 1        |
| MAT (Ref # 53004B)                      | 53004-0647  | 1        |
| SCREW,TAPPING,5X10 (Ref # 92009)        | 92009-1332  | 2        |
| WASHER,8.5X26X0.8 (Ref # 92022)         | 92022-101   | 7        |
| COLLAR (Ref # 92027)                    | 92027-4015  | 7        |
| RING-O,CRANKCASE SIDE (Ref # 92055)     | 92055-1395  | 1        |
| GROMMET,CONVERTER CASE (Ref # 92071)    | 92071-1212  | 1        |
| SEAL,BELT CONVERTER COVER (Ref # 92093) | 92093-0582  | 1        |
| DAMPER (Ref # 92161)                    | 92161-0406  | 1        |
| DAMPER (Ref # 92161A)                   | 92161-1484  | 7        |
| CLAMP (Ref # 92170)                     | 92170-1764  | 1        |
| CLAMP (Ref # 92171)                     | 92171-1277  | 1        |
| BOLT-FLANGED,6X30 (Ref # 130)           | 130BA0630   | 9        |
| BOLT-FLANGED,8X25 (Ref # 130A)          | 130BA0825   | 6        |
| BOLT-FLANGED,8X45 (Ref # 130B)          | 130BA0845   | 1        |
| BOLT-FLANGED-SMALL,6X10 (Ref # 132)     | 132BA0610   | 2        |
| BOLT-FLANGED-SMALL,6X16 (Ref # 132A)    | 132BA0616   | 3        |