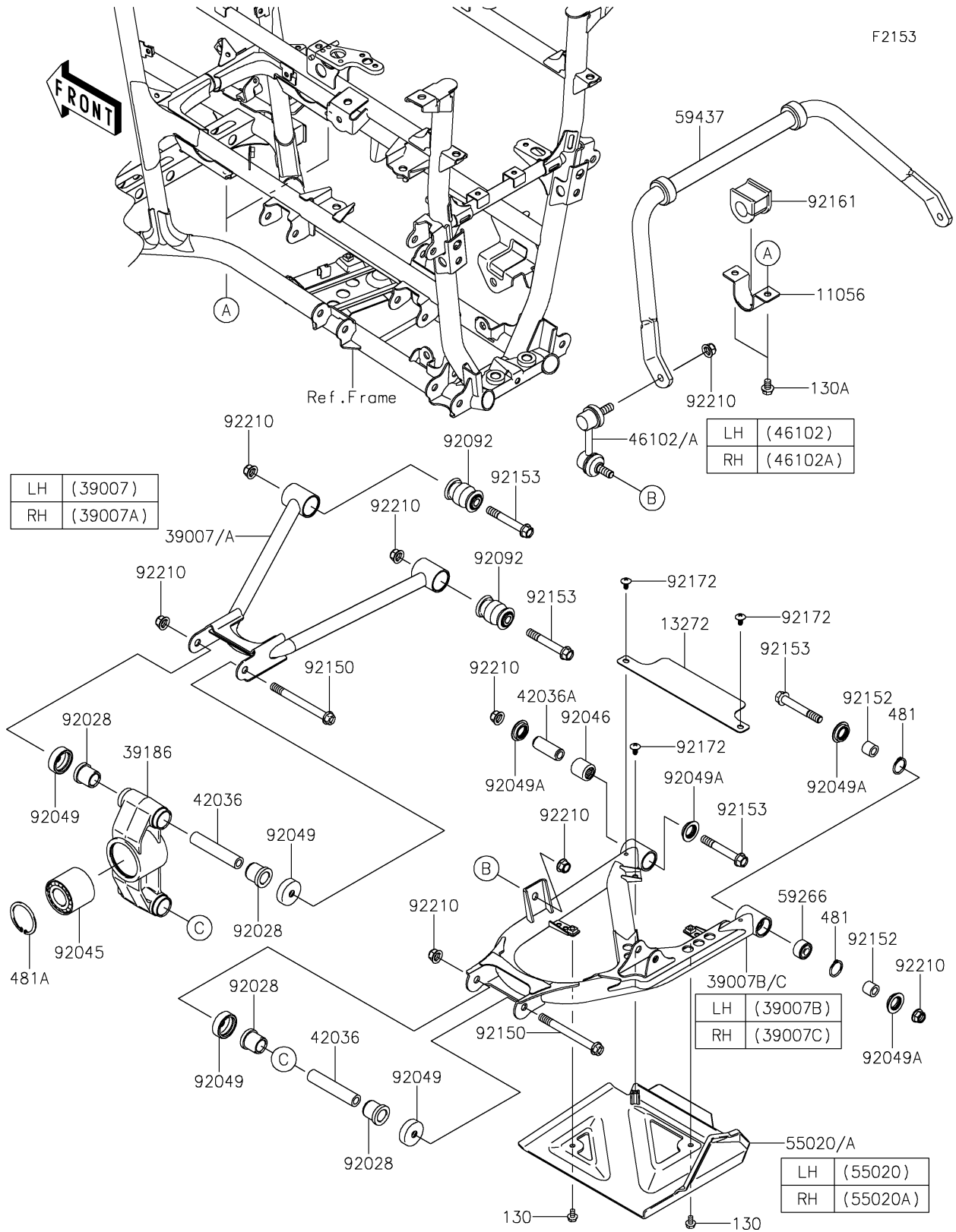


2021 BRUTE FORCE® 750 4x4i EPS PARTS DIAGRAM

Rear Suspension



2021 BRUTE FORCE® 750 4x4i EPS PARTS LIST

Rear Suspension

ITEM NAME	PART NUMBER	QUANTITY
BRACKET,STABILIZER (Ref # 11056)	11056-1062	2
PLATE,RR ARM (Ref # 13272)	13272-0919	2
ARM-SUSP,RR,UPP,LH,BLACK (Ref # 39007)	39007-0170-10	1
ARM-SUSP,RR,UPP,RH,BLACK (Ref # 39007A)	39007-0171-10	1
ARM-SUSP,RR,LWR,LH,BLACK (Ref # 39007B)	39007-0172-10	1
ARM-SUSP,RR,LWR,RH,BLACK (Ref # 39007C)	39007-0173-10	1
KNUCKLE,RR (Ref # 39186)	39186-0099	2
SLEEVE,10X17X85.6 (Ref # 42036)	42036-1190	4
SLEEVE (Ref # 42036A)	42036-1376	2
ROD,STABILIZER,LH (Ref # 46102)	46102-0100	1
ROD,STABILIZER,RH (Ref # 46102A)	46102-0101	1
GUARD,REAR ARM,LH,F.BLACK (Ref # 55020)	55020-0972-6Z	1
GUARD,REAR ARM,RH,F.BLACK (Ref # 55020A)	55020-0973-6Z	1
JOINT-BALL (Ref # 59266)	59266-0013	2
STABILIZER,RR (Ref # 59437)	59437-0307	1
BUSHING (Ref # 92028)	92028-1466	8
BEARING-BALL,25BWD02ACA68 (Ref # 92045)	92045-0094	2
BEARING-NEEDLE (Ref # 92046)	92046-1046	2
SEAL-OIL,KNUCKLE (Ref # 92049)	92049-1198	8
SEAL-OIL,MHA17245.7F (Ref # 92049A)	92049-1223	8
BUSHING-RUBBER (Ref # 92092)	92092-0004	4
BOLT,FLANGED,10X105 (Ref # 92150)	92150-1624	4
COLLAR,10X17X14.5 (Ref # 92152)	92152-1455	4
BOLT,FLANGED,10X70 (Ref # 92153)	92153-1606	8
DAMPER (Ref # 92161)	92161-0265	2
SCREW,6X12 (Ref # 92172)	92172-0884	6
NUT,LOCK,FLANGED,10MM (Ref # 92210)	92210-0276	16
BOLT-FLANGED,6X10 (Ref # 130)	130BA0610	4
BOLT-FLANGED,8X12 (Ref # 130A)	130BA0812	4

2021 BRUTE FORCE® 750 4x4i EPS PARTS LIST

Rear Suspension

ITEM NAME	PART NUMBER	QUANTITY
CIRCLIP-TYPE-C,24MM (Ref # 481)	481J2400	4
CIRCLIP-TYPE-C,52MM (Ref # 481A)	481J5200	2