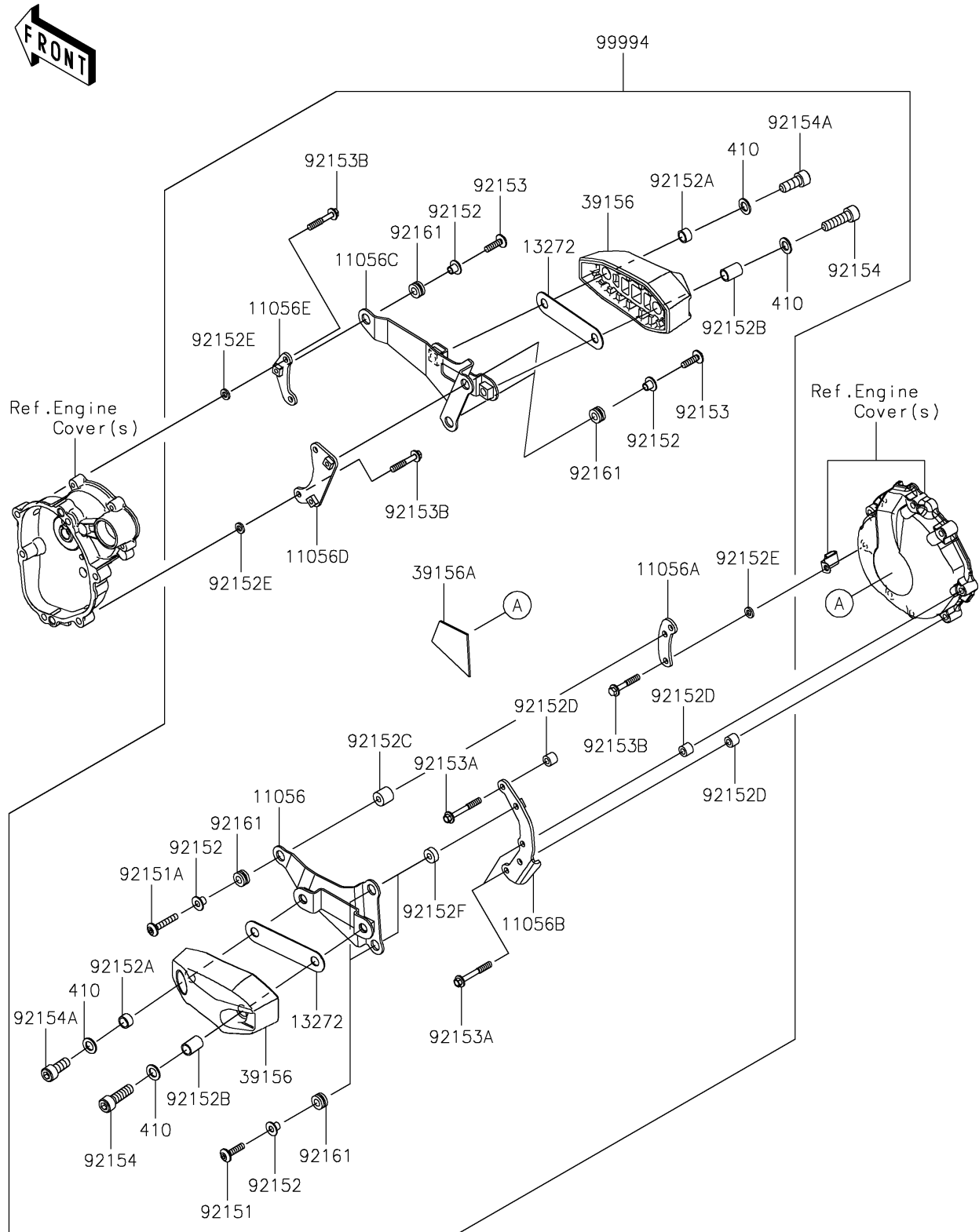


2019 NINJA® ZX™-6R ABS KRT EDITION PARTS

Accessory (Engine Guard)
DIAGRAM

F2910



2019 NINJA® ZX™-6R ABS KRT EDITION PARTS LIST

Accessory(Engine Guard)

ITEM NAME	PART NUMBER	QUANTITY
BRACKET,PAD,EG. GUARD,LH (Ref # 11056)	11056-2326	1
BRACKET,FR,EG. GUARD,LH (Ref # 11056A)	11056-2327	1
BRACKET,RR,EG. GUARD,LH (Ref # 11056B)	11056-2328	1
BRACKET,PAD,EG. GUARD,RH (Ref # 11056C)	11056-2329	1
BRACKET,EG. GUARD,RH,RR (Ref # 11056D)	11056-2330	1
BRACKET,EG. GUARD,RH,FR (Ref # 11056E)	11056-2331	1
PLATE (Ref # 13272)	13272-1440	1
PAD,ENGINE GUARD (Ref # 39156)	39156-0758	1
PAD (Ref # 39156A)	39156-0996	1
WASHER-PLAIN-SMALL,10MM (Ref # 410)	410AA1000	1
BOLT,SOCKET,6X25 (Ref # 92151)	92151-1611	1
BOLT,SOCKET,6X35 (Ref # 92151A)	92151-1835	1
COLLAR,6.3X8.3X9.2 (Ref # 92152)	92152-0237	1
COLLAR,10.6X13.8X7.8 (Ref # 92152A)	92152-1661	1
COLLAR,10.6X13.8X19.8 (Ref # 92152B)	92152-1662	1
COLLAR,6.5X16X15 (Ref # 92152C)	92152-1711	1
COLLAR,6.5X12X10 (Ref # 92152D)	92152-1712	1
COLLAR,6.5X12X2 (Ref # 92152E)	92152-1713	1
COLLAR,6.5X16X6 (Ref # 92152F)	92152-1727	1
BOLT,SOCKET,6X22 (Ref # 92153)	92153-1356	1
BOLT,FLANGED,6X45 (Ref # 92153A)	92153-1575	1
BOLT,FLANGED,6X35 (Ref # 92153B)	92153-1579	1
BOLT,SOCKET,10X35 (Ref # 92154)	92154-1146	1
BOLT,SOCKET,10X25 (Ref # 92154A)	92154-1147	1
DAMPER (Ref # 92161)	92161-1545	1
KIT-ACCESSORY,EG GUARD (Ref # 99994)	99994-0349	1