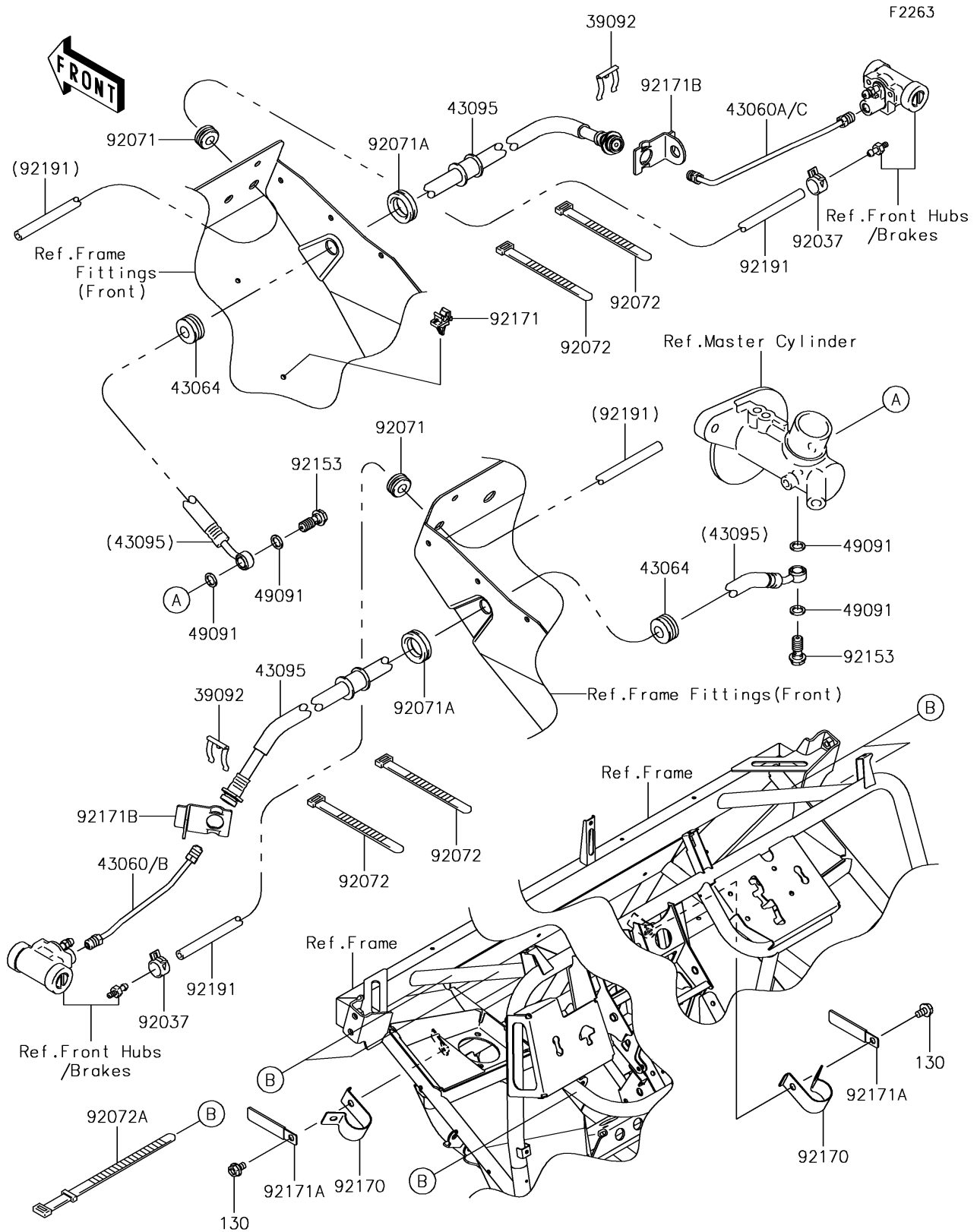


2017 MULE SX™ 4x4 SE PARTS DIAGRAM

Front Brake Piping



2017 MULE SX™ 4x4 SE PARTS LIST

Front Brake Piping

ITEM NAME	PART NUMBER	QUANTITY
BOLT-FLANGED,6X10 (Ref # 130)	130AA0610	1
PIN-HAIR (Ref # 39092)	39092-1052	1
PIPE-BRAKE,FR,LH (Ref # 43060)	43060-0001	1
PIPE-BRAKE,FR,RH (Ref # 43060A)	43060-0002	1
GROMMET,HOSE CLAMP (Ref # 43064)	43064-007	1
HOSE-BRAKE,FR (Ref # 43095)	43095-0055	1
WASHER-SEAL,10.1X14.5X1.5 (Ref # 49091)	49091-0001	1
CLAMP (Ref # 92037)	92037-1601	1
GROMMET (Ref # 92071)	92071-1010	1
GROMMET (Ref # 92071A)	92071-3704	1
BAND,L=123 (Ref # 92072)	92072-030	1
BAND,L=186 (Ref # 92072A)	92072-056	1
BOLT,OIL,L=23 (Ref # 92153)	92153-1419	1
CLAMP,HOSE (Ref # 92170)	92170-1173	1
CLAMP (Ref # 92171)	92171-0339	1
CLAMP,L=60 (Ref # 92171A)	92171-0652	1
CLAMP (Ref # 92171B)	92171-1654	1
TUBE,4.7X9.5X1480 (Ref # 92191)	92191-1615	1