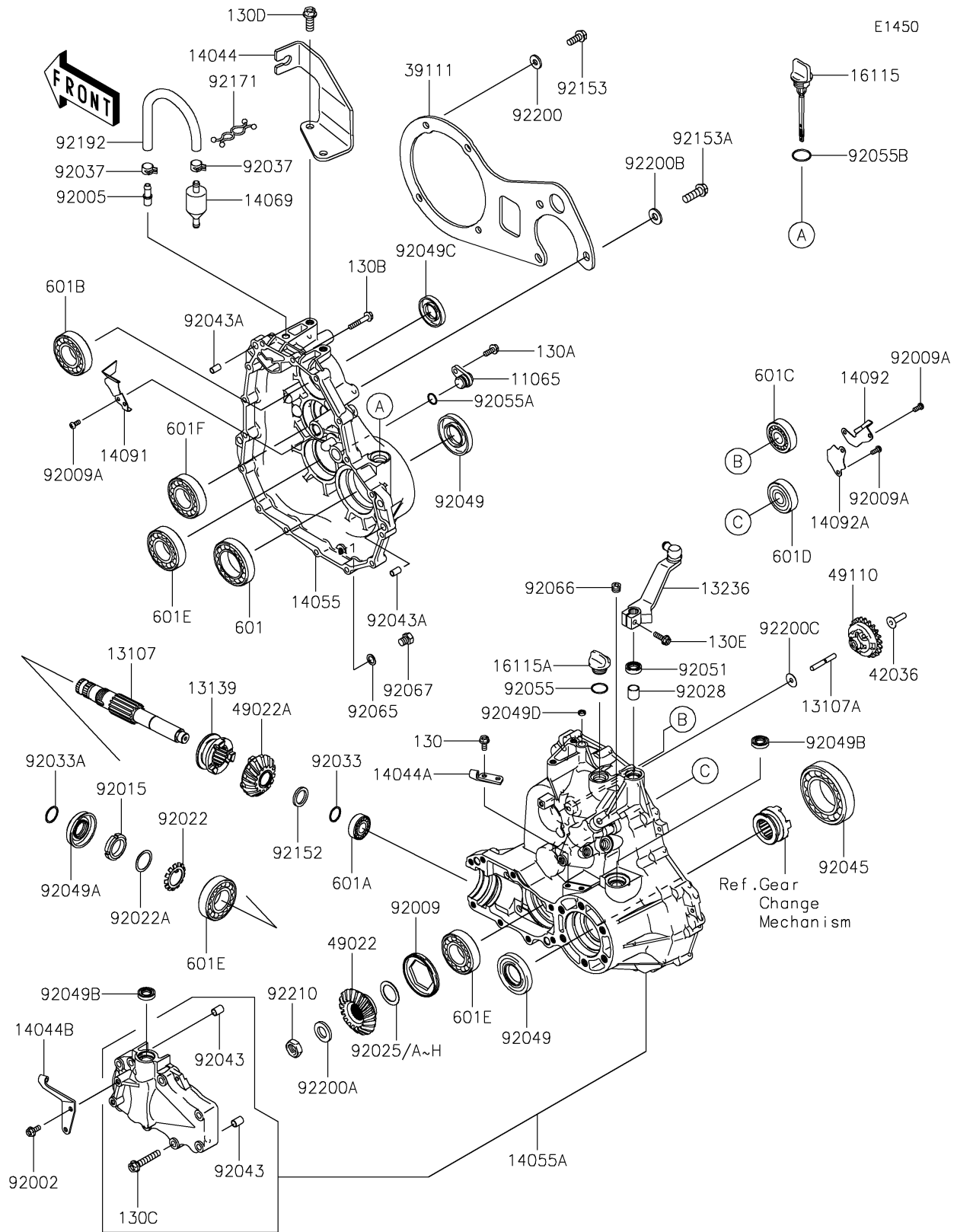


2020 MULE SX™ 4x4 XC LE FI PARTS DIAGRAM

Gear Box



2020 MULE SX™ 4x4 XC LE FI PARTS LIST

Gear Box

| ITEM NAME | PART NUMBER | QUANTITY |
|--|-------------|----------|
| CAP,GEAR CASE,RH (Ref # 11065) | 11065-0062 | 1 |
| SHAFT,OUTPUT,BEVEL GEAR (Ref # 13107) | 13107-0043 | 1 |
| SHAFT (Ref # 13107A) | 13107-2235 | 1 |
| SHIFTER,2WD/4WD (Ref # 13139) | 13139-0005 | 1 |
| LEVER-COMP (Ref # 13236) | 13236-0039 | 1 |
| HOLDER-CABLE,SHIFT CONTROL (Ref # 14044) | 14044-0005 | 1 |
| HOLDER-CABLE,DIFF-LOCK (Ref # 14044A) | 14044-0006 | 1 |
| HOLDER-CABLE,2WD/4WD (Ref # 14044B) | 14044-0007 | 1 |
| CASE-GEAR,RH (Ref # 14055) | 14055-0008 | 1 |
| CASE-GEAR,SET (Ref # 14055A) | 14055-5001 | 1 |
| BREATHER (Ref # 14069) | 14069-1051 | 1 |
| COVER (Ref # 14091) | 14091-0394 | 1 |
| COVER (Ref # 14092) | 14092-0052 | 1 |
| COVER (Ref # 14092A) | 14092-0053 | 1 |
| CAP-OIL FILLER (Ref # 16115) | 16115-0015 | 1 |
| CAP-OIL FILLER (Ref # 16115A) | 16115-1053 | 1 |
| ROD-TIE (Ref # 39111) | 39111-0016 | 1 |
| SLEEVE (Ref # 42036) | 42036-2060 | 1 |
| GEAR-BEVEL,18T (Ref # 49022) | 49022-0021 | 1 |
| GEAR-BEVEL,PINION,16T (Ref # 49022A) | 49022-0022 | 1 |
| GOVERNOR-ASSY (Ref # 49110) | 49110-0011 | 1 |
| BOLT,6X14 (Ref # 92002) | 92002-1656 | 1 |
| FITTING,BREATHER (Ref # 92005) | 92005-1127 | 1 |
| SCREW,64MM (Ref # 92009) | 92009-1914 | 1 |
| SCREW (Ref # 92009A) | 92009-2308 | 1 |
| NUT,25MM (Ref # 92015) | 92015-1768 | 1 |
| WASHER,TOOTHED (Ref # 92022) | 92022-1990 | 1 |
| WASHER,25.3X32X0.5 (Ref # 92022A) | 92022-225 | 1 |
| SHIM,25.3X36X0.15 (Ref # 92025) | 92025-1688 | 1 |

2020 MULE SX™ 4x4 XC LE FI PARTS LIST

Gear Box

| ITEM NAME | PART NUMBER | QUANTITY |
|------------------------------------|-------------|----------|
| SHIM,25.3X36X0.50 (Ref # 92025A) | 92025-1689 | 1 |
| SHIM,25.3X36X0.60 (Ref # 92025B) | 92025-1690 | 1 |
| SHIM,25.3X36X0.70 (Ref # 92025C) | 92025-1691 | 1 |
| SHIM,25.3X36X0.80 (Ref # 92025D) | 92025-1692 | 1 |
| SHIM,25.3X36X0.90 (Ref # 92025E) | 92025-1693 | 1 |
| SHIM,25.3X36X1.00 (Ref # 92025F) | 92025-1694 | 1 |
| SHIM,25.3X36X1.10 (Ref # 92025G) | 92025-1695 | 1 |
| SHIM,25.3X36X1.20 (Ref # 92025H) | 92025-1696 | 1 |
| BUSHING (Ref # 92028) | 92028-1347 | 1 |
| RING-SNAP (Ref # 92033) | 92033-0035 | 1 |
| RING-SNAP (Ref # 92033A) | 92033-0036 | 1 |
| BOLT-FLANGED,6X14 (Ref # 130) | 130BA0614 | 1 |
| BOLT-FLANGED,6X16 (Ref # 130A) | 130BA0616 | 1 |
| BOLT-FLANGED,6X35 (Ref # 130B) | 130BA0635 | 1 |
| BOLT-FLANGED,8X45 (Ref # 130C) | 130BA0845 | 1 |
| BOLT-FLANGED,10X25 (Ref # 130D) | 130BA1025 | 1 |
| BOLT-FLANGED,6X20 (Ref # 130E) | 130CA0620 | 1 |
| BEARING-BALL (Ref # 601) | 601B6008 | 1 |
| BEARING-BALL,#6202C3 (Ref # 601A) | 601B6202 | 1 |
| BEARING-BALL,#6206C3 (Ref # 601B) | 601B6206 | 1 |
| BEARING-BALL,#6303C3 (Ref # 601C) | 601B6303 | 1 |
| BEARING-BALL (Ref # 601D) | 601B6303U | 1 |
| BEARING-BALL,#6305C3 (Ref # 601E) | 601B6305 | 1 |
| BEARING-BALL,#6305U (Ref # 601F) | 601B6305U | 1 |
| CLAMP,TUBE (Ref # 92037) | 92037-1505 | 1 |
| PIN,DOWEL,10X14 (Ref # 92043) | 92043-1037 | 1 |
| PIN,6.2X8X14 (Ref # 92043A) | 92043-1263 | 1 |
| BEARING-BALL,6210CM (Ref # 92045) | 92045-1213 | 1 |
| SEAL-OIL,HTC 30 60 8 (Ref # 92049) | 92049-0049 | 1 |

2020 MULE SX™ 4x4 XC LE FI PARTS LIST

Gear Box

| ITEM NAME | PART NUMBER | QUANTITY |
|---|-------------|----------|
| SEAL-OIL,YC9Y 22X50X9X13.4 (Ref # 92049A) | 92049-0053 | 1 |
| SEAL-OIL,TC14245 (Ref # 92049B) | 92049-1520 | 1 |
| SEAL-OIL,HTC 28X45X7 (Ref # 92049C) | 92049-1576 | 1 |
| SEAL-OIL,VC-6X10X2.5 (Ref # 92049D) | 92049-2097 | 1 |
| SEAL-OIL,TB13225.5 (Ref # 92051) | 92051-005 | 1 |
| RING-O (Ref # 92055) | 92055-012 | 1 |
| RING-O,ID=13.8 (Ref # 92055A) | 92055-1141 | 1 |
| RING-O,20X3 (Ref # 92055B) | 92055-2185 | 1 |
| GASKET,10.5X16X1 (Ref # 92065) | 92065-058 | 1 |
| PLUG,PT1/8X7 (Ref # 92066) | 92066-0863 | 1 |
| PLUG,DRAIN,10X12 (Ref # 92067) | 92067-001 | 1 |
| COLLAR,20.2X28.0 (Ref # 92152) | 92152-0132 | 1 |
| BOLT,FLANGED,8X21 (Ref # 92153) | 92153-0898 | 1 |
| BOLT,10X30 (Ref # 92153A) | 92153-0908 | 1 |
| CLAMP (Ref # 92171) | 92171-0476 | 1 |
| TUBE (Ref # 92192) | 92192-0216 | 1 |
| WASHER,8.2X20.0X2.5 (Ref # 92200) | 92200-0205 | 1 |
| WASHER,17X30X3.5 (Ref # 92200A) | 92200-0210 | 1 |
| WASHER,10.2X23X2.5 (Ref # 92200B) | 92200-0211 | 1 |
| WASHER,6.2X20X0.5 (Ref # 92200C) | 92200-2036 | 1 |
| NUT,16MM (Ref # 92210) | 92210-0211 | 1 |