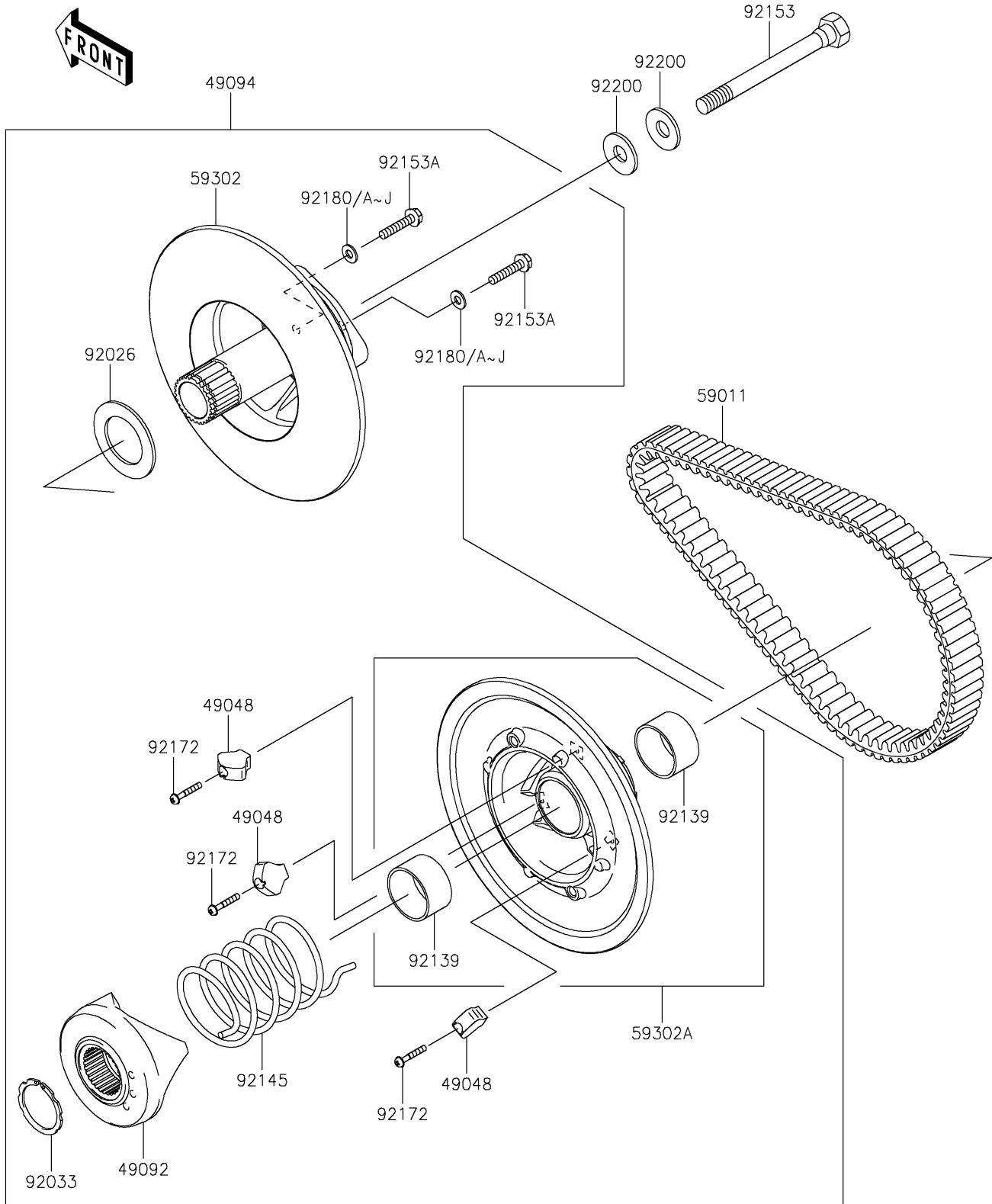


# 2020 MULE SX™ 4x4 XC LE FI PARTS DIAGRAM

Driven Converter/Drive Belt

E1392



## 2020 MULE SX™ 4x4 XC LE FI PARTS LIST

Driven Converter/Drive Belt

| ITEM NAME                           | PART NUMBER | QUANTITY |
|-------------------------------------|-------------|----------|
| SHOE (Ref # 49048)                  | 49048-0001  | 3        |
| RAMP (Ref # 49092)                  | 49092-0005  | 1        |
| CONVERTER-ASSY-DRIVEN (Ref # 49094) | 49094-0049  | 1        |
| BELT (Ref # 59011)                  | 59011-0011  | 1        |
| SHEAVE-COMP, FIXED (Ref # 59302)    | 59302-0008  | 1        |
| SHEAVE-COMP (Ref # 59302A)          | 59302-0098  | 1        |
| SPACER, 38X60X2.5 (Ref # 92026)     | 92026-0046  | 1        |
| RING-SNAP (Ref # 92033)             | 92033-0053  | 1        |
| BUSHING (Ref # 92139)               | 92139-0054  | 2        |
| SPRING (Ref # 92145)                | 92145-0743  | 1        |
| BOLT, 12X121 (Ref # 92153)          | 92153-0593  | 1        |
| BOLT, 6X28 (Ref # 92153A)           | 92153-0833  | 2        |
| SCREW, 4X25 (Ref # 92172)           | 92172-0060  | 3        |
| SHIM, T=0.8 (Ref # 92180)           | 92180-0150  | AR       |
| SHIM, T=1.0 (Ref # 92180A)          | 92180-0151  | AR       |
| SHIM, T=1.2 (Ref # 92180B)          | 92180-0152  | AR       |
| SHIM, T=1.4 (Ref # 92180C)          | 92180-0153  | 2        |
| SHIM, T=1.6 (Ref # 92180D)          | 92180-0154  | AR       |
| SHIM, T=1.8 (Ref # 92180E)          | 92180-0155  | AR       |
| SHIM, T=2.0 (Ref # 92180F)          | 92180-0156  | AR       |
| SHIM, T=2.3 (Ref # 92180G)          | 92180-0157  | AR       |
| SHIM, T=2.5 (Ref # 92180H)          | 92180-0158  | AR       |
| SHIM, T=2.8 (Ref # 92180I)          | 92180-0159  | AR       |
| SHIM, T=3.2 (Ref # 92180J)          | 92180-0160  | AR       |
| WASHER (Ref # 92200)                | 92200-0249  | 2        |