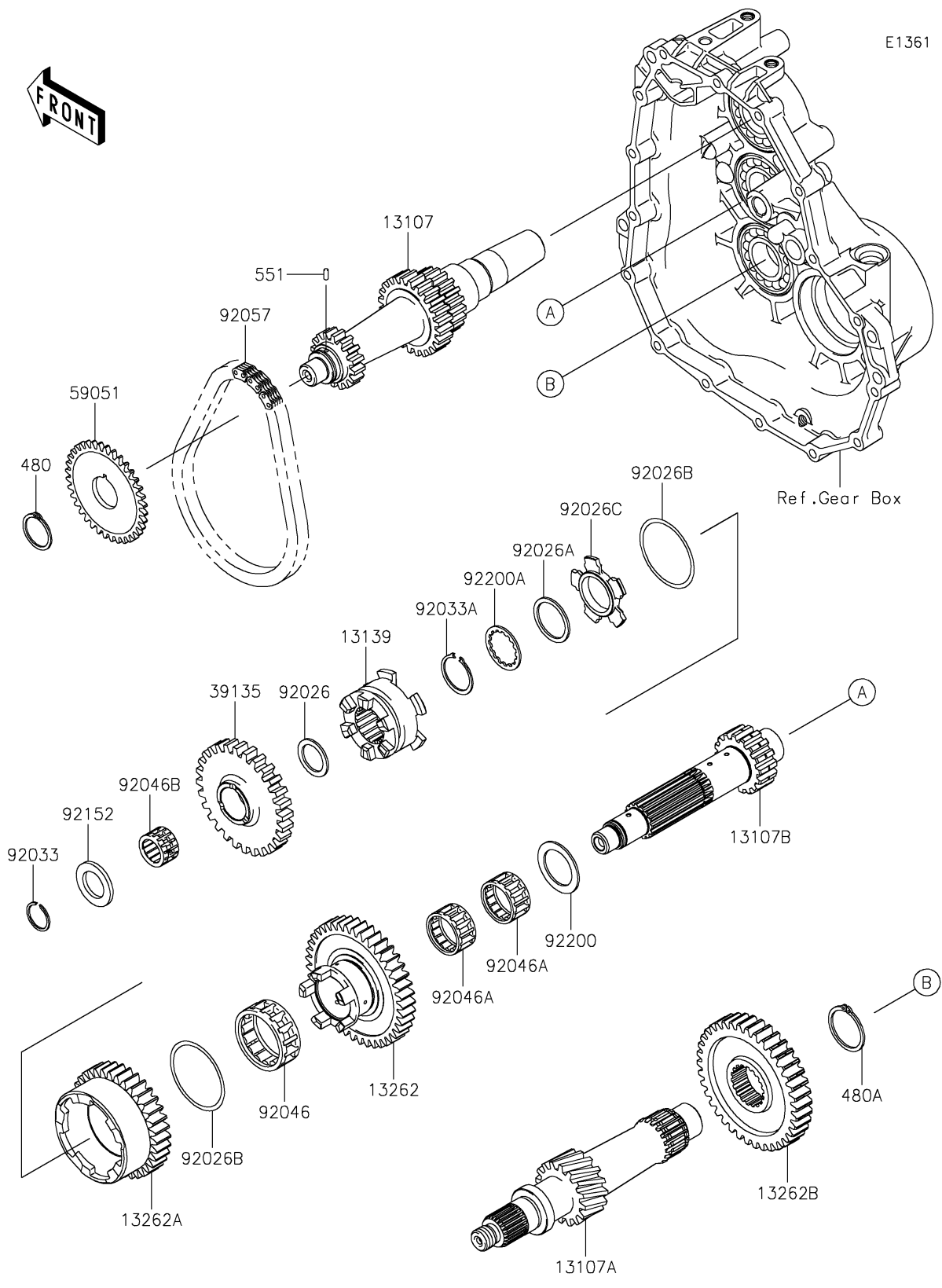


# 2020 MULE SX™ 4x4 XC LE FI PARTS DIAGRAM

Transmission



## 2020 MULE SX™ 4x4 XC LE FI PARTS LIST

### Transmission

| ITEM NAME                                   | PART NUMBER | QUANTITY |
|---|-------------|----------|
| SHAFT,FIRST,INPUT,16T&24T&19T (Ref # 13107) | 13107-0039  | 1        |
| SHAFT,THIRD,16T (Ref # 13107A)              | 13107-0088  | 1        |
| SHAFT,2ND,17T (Ref # 13107B)                | 13107-0222  | 1        |
| SHIFTER,FR/RR (Ref # 13139)                 | 13139-0004  | 1        |
| GEAR,LOW,41T (Ref # 13262)                  | 13262-0106  | 1        |
| GEAR,HIGH,35T (Ref # 13262A)                | 13262-0107  | 1        |
| GEAR-TRANSMISSION SPUR,38T (Ref # 13262B)   | 13262-0742  | 1        |
| SPROCKET-DRIVEN,30T (Ref # 39135)           | 39135-0001  | 1        |
| CIRCLIP-TYPE-C,25MM (Ref # 480)             | 480J2500    | 1        |
| CIRCLIP-TYPE-C,32MM (Ref # 480A)            | 480J3200    | 1        |
| PIN-DOWEL,3X8 (Ref # 551)                   | 551A0308    | 1        |
| GEAR-SPUR,37T (Ref # 59051)                 | 59051-0049  | 1        |
| SPACER,21.2X29X1.6 (Ref # 92026)            | 92026-1568  | 1        |
| SPACER,28.2X34.5X1.6 (Ref # 92026A)         | 92026-1587  | 1        |
| SPACER,48.2X54.3X1.0 (Ref # 92026B)         | 92026-1599  | 2        |
| SPACER,HI&LOW (Ref # 92026C)                | 92026-1600  | 1        |
| RING-SNAP,20MM (Ref # 92033)                | 92033-015   | 1        |
| RING-SNAP,25.9X30.6X1.2 (Ref # 92033A)      | 92033-1037  | 1        |
| BEARING-NEEDLE,HIGH GEAR (Ref # 92046)      | 92046-1276  | 1        |
| BEARING-NEEDLE,FWF-283317 (Ref # 92046A)    | 92046-1278  | 2        |
| BEARING-NEEDLE,REVERSE GEAR (Ref # 92046B)  | 92046-1279  | 1        |
| CHAIN,REVERSE,23RH302-38ASM (Ref # 92057)   | 92057-0072  | 1        |
| COLLAR,21.2X34.0X3.0 (Ref # 92152)          | 92152-0241  | 1        |
| WASHER,28.2X40.0X1.6 (Ref # 92200)          | 92200-0090  | 1        |
| WASHER,28.5X34.0X1.5 (Ref # 92200A)         | 92200-1240  | 1        |