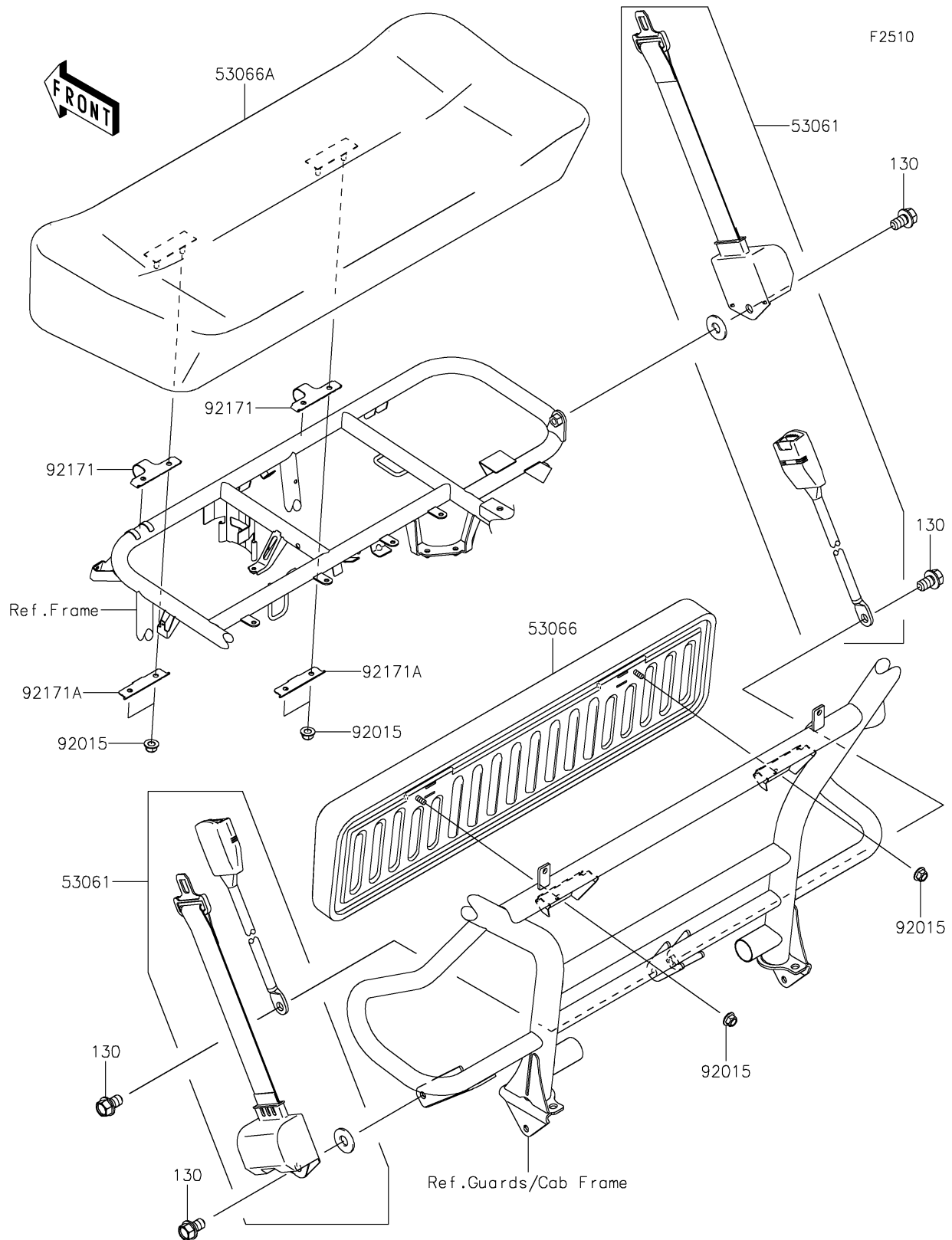


2019 MULE SX™ 4x4 XC CAMO FI PARTS DIAGRAM

Seat



2019 MULE SX™ 4x4 XC CAMO FI PARTS LIST

Seat

ITEM NAME	PART NUMBER	QUANTITY
BOLT-FLANGED,12X20 (Ref # 130)	130BA1220	1
BELT-SEAT (Ref # 53061)	53061-0050	1
SEAT-ASSY,BACK,BLACK (Ref # 53066)	53066-0270-MA	1
SEAT-ASSY,CUSHION,BLACK (Ref # 53066A)	53066-0605-MA	1
NUT,FLANGED,LOCK,8MM (Ref # 92015)	92015-1668	1
CLAMP (Ref # 92171)	92171-0441	1
CLAMP (Ref # 92171A)	92171-0442	1