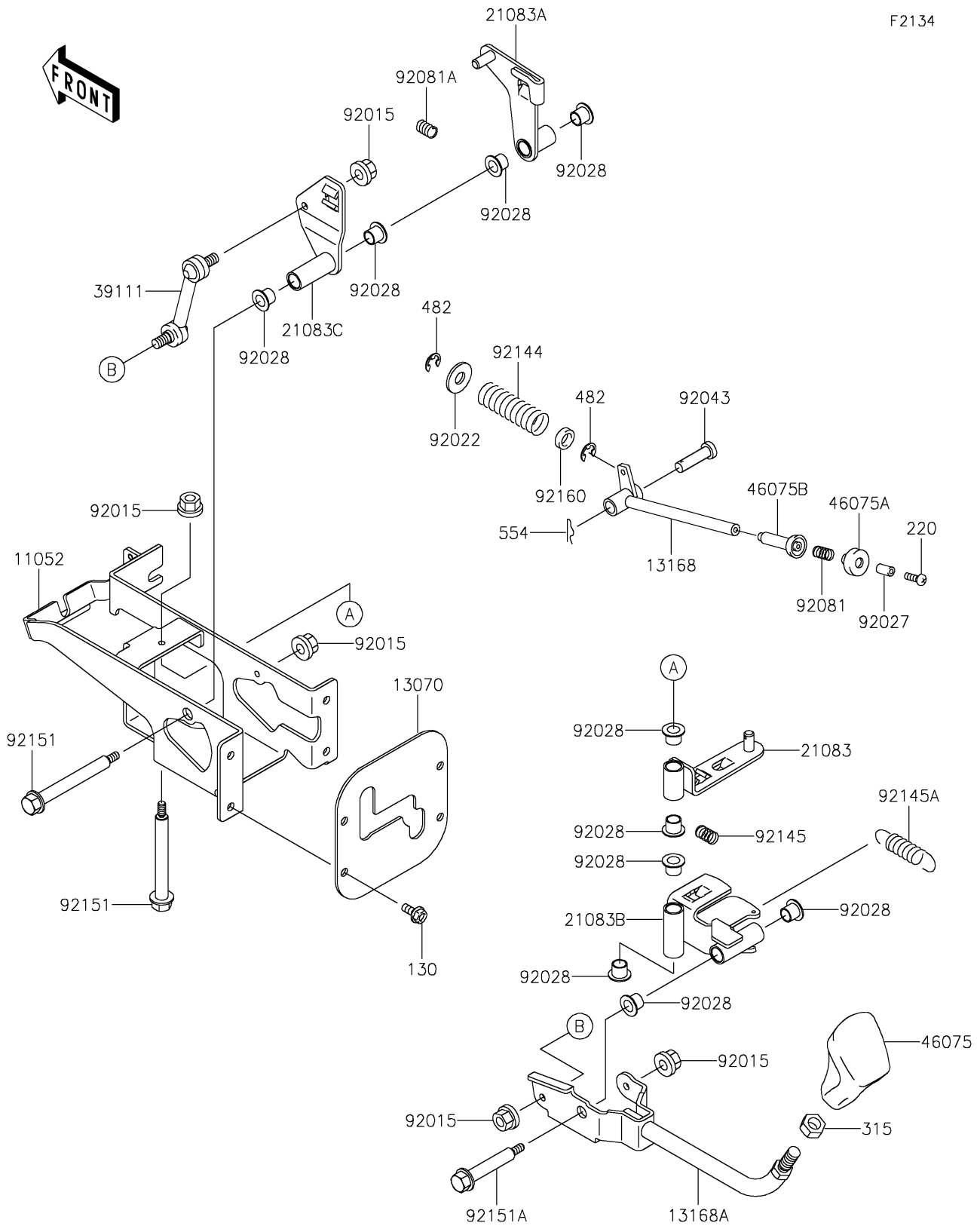


## 2020 MULE 4000 TRANS™ PARTS DIAGRAM

Shift Lever(s)

F2134



## 2020 MULE 4000 TRANS™ PARTS LIST

Shift Lever(s)

ITEM NAME	PART NUMBER	QUANTITY
BRACKET,SHIFT CONTROL (Ref # 11052)	11052-1263	1
BOLT-FLANGED,6X14 (Ref # 130)	130AB0614	1
GUIDE (Ref # 13070)	13070-1363	1
LEVER,DIFF MODE CONTROL (Ref # 13168)	13168-1428	1
LEVER,SHIFT (Ref # 13168A)	13168-1719	1
ARM (Ref # 21083)	21083-1151	1
ARM (Ref # 21083A)	21083-1152	1
ARM (Ref # 21083B)	21083-1155	1
ARM (Ref # 21083C)	21083-1162	1
SCREW-PAN-CROS,5X14 (Ref # 220)	220AB0514	1
NUT-HEX-FINE (Ref # 315)	315BB1000	1
ROD-TIE (Ref # 39111)	39111-1169	1
GRIP,SHIFT LEVER (Ref # 46075)	46075-0054	1
GRIP,UPP (Ref # 46075A)	46075-1085	1
GRIP,LWR (Ref # 46075B)	46075-1086	1
CIRCLIP-TYPE-E,8MM (Ref # 482)	482EA8000	1
PIN-SNAP,10MM (Ref # 554)	554DA1000	1
NUT,LOCK,FLANGED,6MM (Ref # 92015)	92015-1675	1
WASHER,10.5X26X2.3 (Ref # 92022)	92022-044	1
COLLAR (Ref # 92027)	92027-1987	1
BUSHING (Ref # 92028)	92028-1507	1
PIN,10X34 (Ref # 92043)	92043-1069	1
SPRING (Ref # 92081)	92081-1714	1
SPRING (Ref # 92081A)	92081-1847	1
SPRING (Ref # 92144)	92144-1510	1
SPRING (Ref # 92145)	92145-0073	1
SPRING (Ref # 92145A)	92145-1326	1
BOLT,6MM (Ref # 92151)	92151-1746	1
BOLT,6MM (Ref # 92151A)	92151-1747	1

## 2020 MULE 4000 TRANS™ PARTS LIST

Shift Lever(s)

ITEM NAME	PART NUMBER	QUANTITY
DAMPER (Ref # 92160)	92160-3754	1