

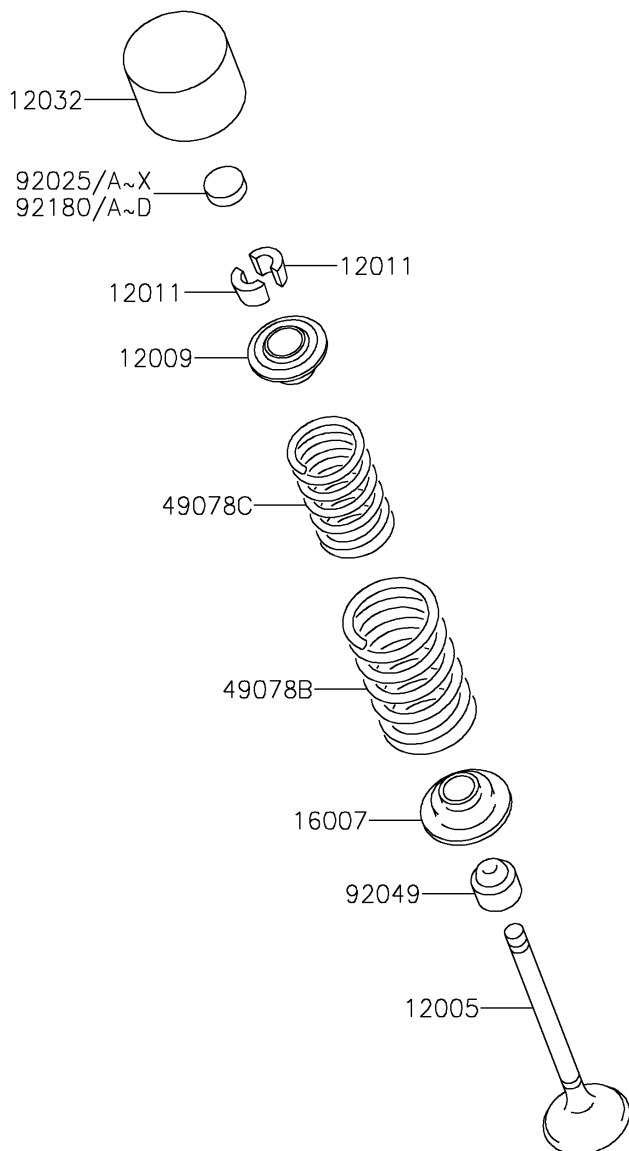
2018 JET SKI® SX-R™ PARTS DIAGRAM

Valve(s)

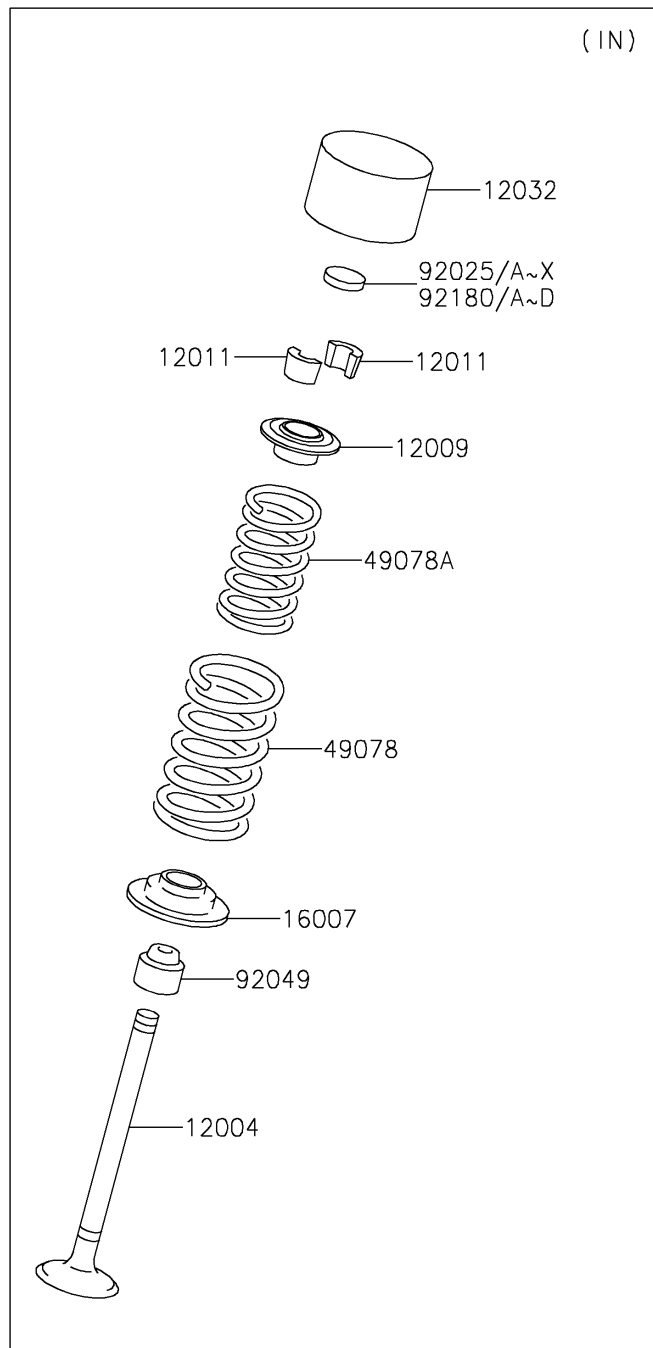
E1210



(EX)



(IN)



2018 JET SKI® SX-R™ PARTS LIST

Valve(s)

ITEM NAME	PART NUMBER	QUANTITY
VALVE-INTAKE (Ref # 12004)	12004-1154	1
VALVE-EXHAUST (Ref # 12005)	12005-3703	1
RETAINER-VALVE SPRING (Ref # 12009)	12009-3701	1
COLLET (Ref # 12011)	12011-1051	1
TAPPET (Ref # 12032)	12032-3701	1
SEAT-SPRING (Ref # 16007)	16007-1163	1
SPRING-VALVE,INTAKE,OUTER (Ref # 49078)	49078-1194	1
SPRING-VALVE,INTAKE,INNER (Ref # 49078A)	49078-1195	1
SPRING-VALVE,EXHAUST,OUTER (Ref # 49078B)	49078-1197	1
SPRING-VALVE,EXHAUST,INNER (Ref # 49078C)	49078-1198	1
SHIM,T=2.00 (Ref # 92025)	92025-1870	1
SHIM,T=2.05 (Ref # 92025A)	92025-1871	1
SHIM,T=2.10 (Ref # 92025B)	92025-1872	1
SHIM,T=2.15 (Ref # 92025C)	92025-1873	1
SHIM,T=2.20 (Ref # 92025D)	92025-1874	1
SHIM,T=2.25 (Ref # 92025E)	92025-1875	1
SHIM,T=2.30 (Ref # 92025F)	92025-1876	1
SHIM,T=2.35 (Ref # 92025G)	92025-1877	1
SHIM,T=2.40 (Ref # 92025H)	92025-1878	1
SHIM,T=2.45 (Ref # 92025I)	92025-1879	1
SHIM,T=2.50 (Ref # 92025J)	92025-1880	1
SHIM,T=2.55 (Ref # 92025K)	92025-1881	1
SHIM,T=2.60 (Ref # 92025L)	92025-1882	1
SHIM,T=2.65 (Ref # 92025M)	92025-1883	1
SHIM,T=2.70 (Ref # 92025N)	92025-1884	1
SHIM,T=2.75 (Ref # 92025O)	92025-1885	1
SHIM,T=2.80 (Ref # 92025P)	92025-1886	1
SHIM,T=2.85 (Ref # 92025Q)	92025-1887	1
SHIM,T=2.90 (Ref # 92025R)	92025-1888	1

2018 JET SKI® SX-R™ PARTS LIST

Valve(s)

ITEM NAME	PART NUMBER	QUANTITY
SHIM,T=2.95 (Ref # 92025S)	92025-1889	1
SHIM,T=3.00 (Ref # 92025T)	92025-1890	1
SHIM,T=2.425 (Ref # 92025U)	92025-1982	1
SHIM,T=2.475 (Ref # 92025V)	92025-1983	1
SHIM,T=2.525 (Ref # 92025W)	92025-1984	1
SHIM,T=2.575 (Ref # 92025X)	92025-1985	1
SEAL-OIL,RVCI 5X8.7X8 (Ref # 92049)	92049-1509	1
SHIM,T=2.375 (Ref # 92180)	92180-1058	1
SHIM,T=2.625 (Ref # 92180A)	92180-1059	1
SHIM,T=2.675 (Ref # 92180B)	92180-1194	1
SHIM,T=2.725 (Ref # 92180C)	92180-1195	1
SHIM,T=2.775 (Ref # 92180D)	92180-1196	1