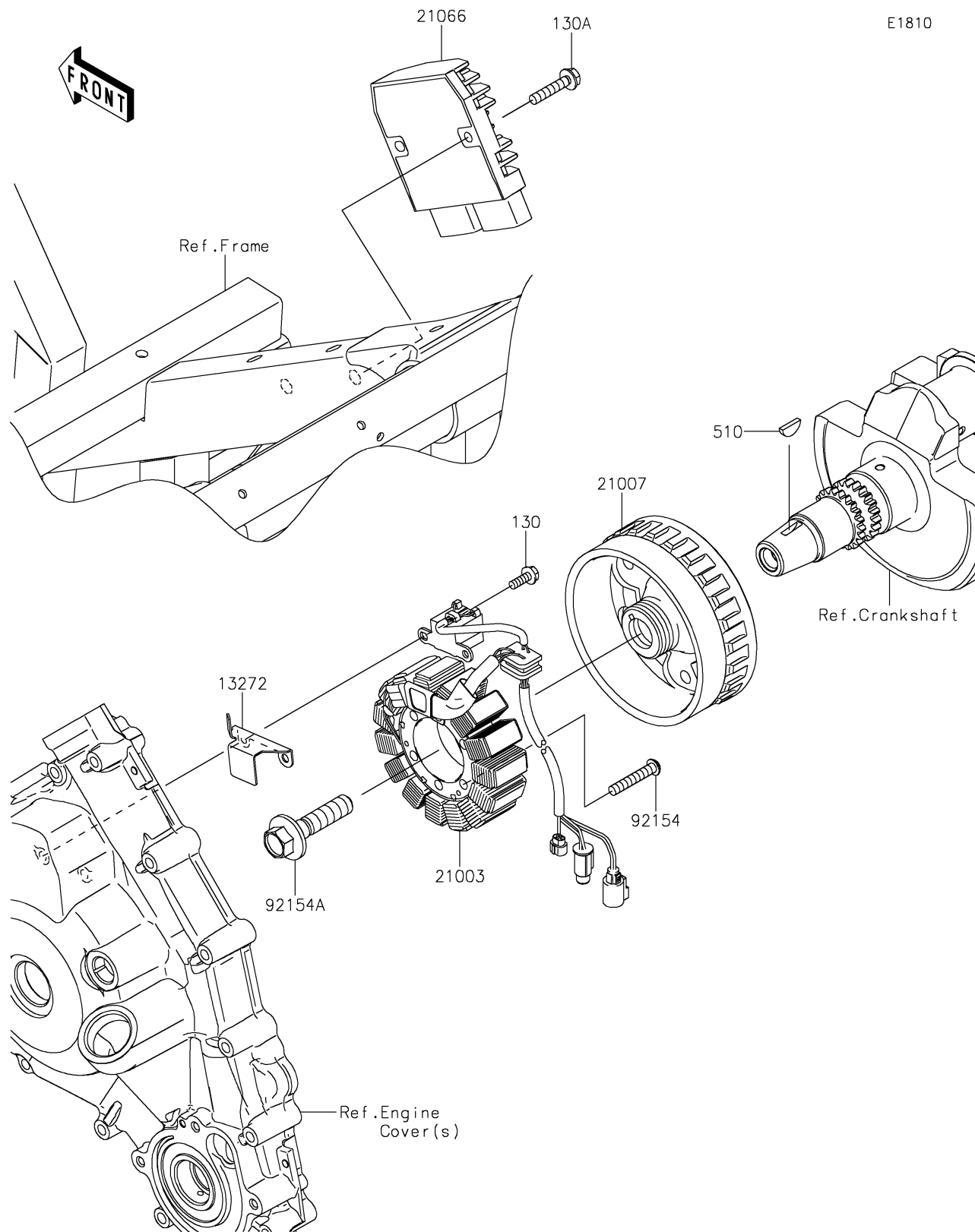


2019 TERYX4™ PARTS DIAGRAM

Generator

E1810



2019 TERYX4™ PARTS LIST

Generator

ITEM NAME	PART NUMBER	QUANTITY
BOLT-FLANGED,5X14 (Ref # 130)	130BA0514	1
BOLT-FLANGED,6X30 (Ref # 130A)	130BA0630	1
PLATE (Ref # 13272)	13272-1222	1
STATOR (Ref # 21003)	21003-0166	1
ROTOR (Ref # 21007)	21007-0565	1
REGULATOR-VOLTAGE (Ref # 21066)	21066-0771	1
KEY-WOODRUFF (Ref # 510)	510A4200	1
BOLT,TORX,6X35 (Ref # 92154)	92154-1007	1
BOLT,12X50 (Ref # 92154A)	92154-1826	1