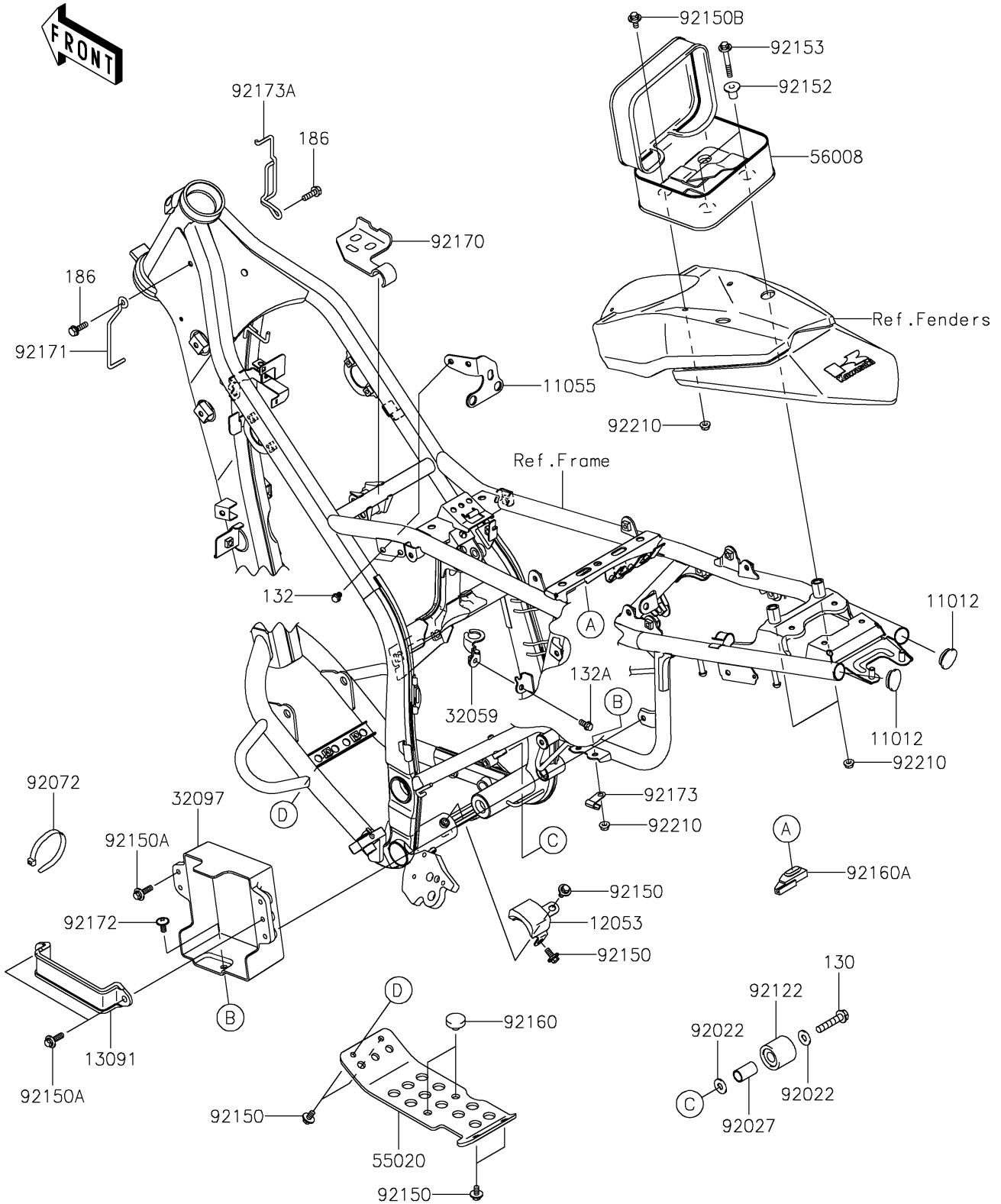


2019 KLX[®]250 CAMO PARTS DIAGRAM

Frame Fittings

F2131



2019 KLX®250 CAMO PARTS LIST

Frame Fittings

| ITEM NAME | PART NUMBER | QUANTITY |
|--------------------------------------|---------------|----------|
| CAP (Ref # 11012) | 11012-1369 | 1 |
| BRACKET,SENSOR (Ref # 11055) | 11055-1174 | 1 |
| GUIDE-CHAIN (Ref # 12053) | 12053-0001 | 1 |
| BOLT-FLANGED,8X40 (Ref # 130) | 130BA0840 | 1 |
| HOLDER (Ref # 13091) | 13091-1875 | 1 |
| BOLT-FLANGED-SMALL,6X8 (Ref # 132) | 132BB0608 | 1 |
| BOLT-FLANGED-SMALL,6X12 (Ref # 132A) | 132BB0612 | 1 |
| BOLT-UPSET-WP,6X20 (Ref # 186) | 186BA0620 | 1 |
| BRACKET-SWITCH,BRAKE (Ref # 32059) | 32059-1117 | 1 |
| CASE-BATTERY (Ref # 32097) | 32097-0001 | 1 |
| GUARD,ENGINE (Ref # 55020) | 55020-1456 | 1 |
| BAG,TOOL,BLACK (Ref # 56008) | 56008-0037-MA | 1 |
| WASHER,8.5X20X1.6 (Ref # 92022) | 92022-1561 | 1 |
| COLLAR,CHAIN ROLLER (Ref # 92027) | 92027-1670 | 1 |
| BAND,L=140 (Ref # 92072) | 92072-1293 | 1 |
| ROLLER,CHAIN GUIDE (Ref # 92122) | 92122-1153 | 1 |
| BOLT,6X12 (Ref # 92150) | 92150-1435 | 1 |
| BOLT,FLANGED,6X22 (Ref # 92150A) | 92150-1481 | 1 |
| BOLT,FLANGED,6X16 (Ref # 92150B) | 92150-1506 | 1 |
| COLLAR (Ref # 92152) | 92152-0604 | 1 |
| BOLT,6X45 (Ref # 92153) | 92153-0003 | 1 |
| DAMPER (Ref # 92160) | 92160-1396 | 1 |
| DAMPER (Ref # 92160A) | 92160-1565 | 1 |
| CLAMP,HARNESS (Ref # 92170) | 92170-1423 | 1 |
| CLAMP,HARNESS,LH (Ref # 92171) | 92171-1775 | 1 |
| SCREW,6X14 (Ref # 92172) | 92172-0004 | 1 |
| CLAMP,HARNESS (Ref # 92173) | 92173-1368 | 1 |
| CLAMP,WIRE (Ref # 92173A) | 92173-1742 | 1 |
| NUT,FLANGED,6MM (Ref # 92210) | 92210-0630 | 1 |