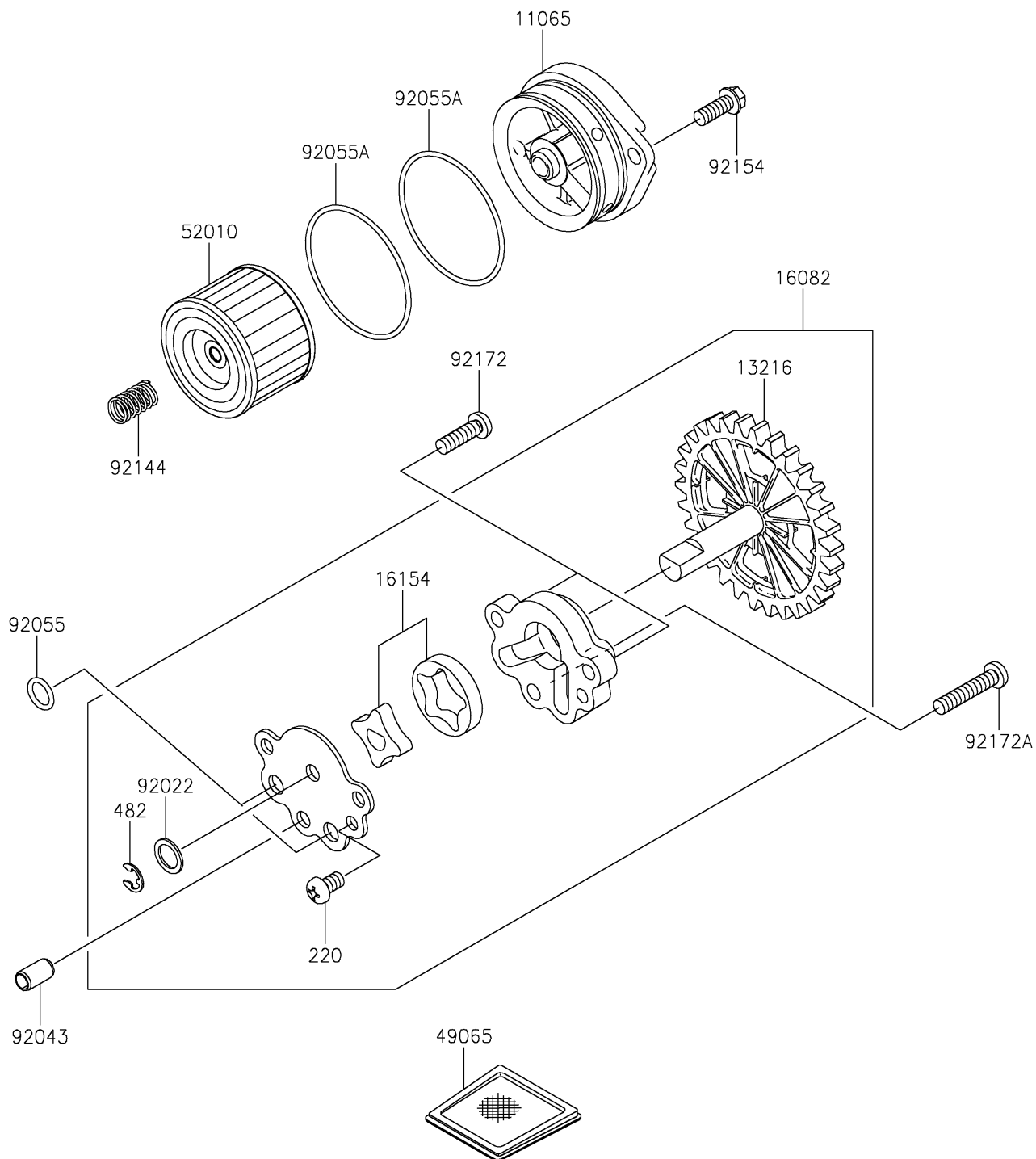


## 2019 W175 SE (Indonesia Only) PARTS DIAGRAM

Oil Pump

E1710



## 2019 W175 SE (Indonesia Only) PARTS LIST

Oil Pump

ITEM NAME	PART NUMBER	QUANTITY
CAP (Ref # 11065)	11065-0995	1
GEAR-COMP,OIL PUMP (Ref # 13216)	13216-1167	1
PUMP-ASSY-OIL (Ref # 16082)	16082-1153	1
ROTOR-PUMP (Ref # 16154)	16154-1077	1
SCREW-PAN-CROS,6X10 (Ref # 220)	220AA0610	1
CIRCLIP-TYPE-E,6MM (Ref # 482)	482J6000	1
FILTER-OIL (Ref # 49065)	49065-0713	1
ELEMENT-OIL FILTER (Ref # 52010)	52010-0552	1
WASHER,10.2X14.5X1.0 (Ref # 92022)	92022-1181	1
PIN,6.2X8X14 (Ref # 92043)	92043-1263	1
RING-O,9.8X1.9 (Ref # 92055)	92055-0887	1
RING-O,53X1.9 (Ref # 92055A)	92055-1716	1
SPRING (Ref # 92144)	92144-1761	1
BOLT,FLANGED,6X16 (Ref # 92154)	92154-2754	1
SCREW,6X20 (Ref # 92172)	92172-1202	1
SCREW,6X30 (Ref # 92172A)	92172-1203	1