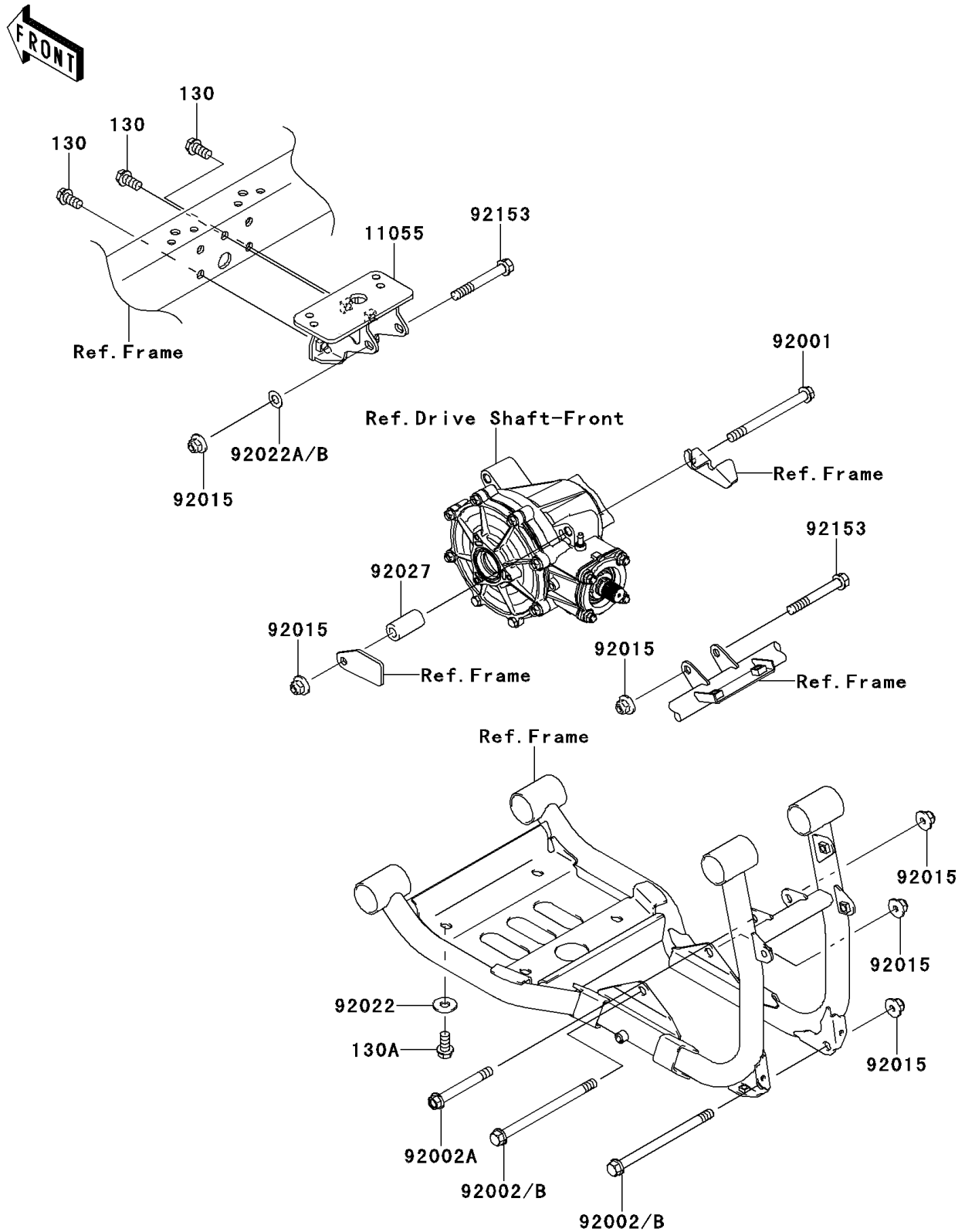


2012 MULE™ 4010 TRANS4x4® DIESEL PARTS

Engine Mount DIAGRAM

F2122



2012 MULE™ 4010 TRANS4x4® DIESEL PARTS LIST

Engine Mount

| ITEM NAME | PART NUMBER | QUANTITY |
|--|-------------|----------|
| BRACKET,FRONT GEAR CASE (Ref # 11055) | 11055-1469 | 1 |
| BOLT-FLANGED,10X20 (Ref # 130) | 130BA1020 | 1 |
| BOLT-FLANGED,10X20 (Ref # 130A) | 130BB1020 | 1 |
| BOLT,FLANGED,10X115 (Ref # 92001) | 92001-1603 | 1 |
| BOLT,FLANGED,10X80 (Ref # 92002A) | 92002-1764 | 1 |
| BOLT,FLANGED,10X145 (Ref # 92002B) | 92002-1765 | 1 |
| NUT,LOCK,10MM (Ref # 92015) | 92015-1597 | 1 |
| WASHER,10.5X26X2.3,BLACK (Ref # 92022) | 92022-1396 | 1 |
| WASHER,10.2X20X0.5 (Ref # 92022A) | 92022-1649 | 1 |
| WASHER,10.5X20X1 (Ref # 92022B) | 92022-239 | 1 |
| COLLAR,11X20X39 (Ref # 92027) | 92027-1518 | 1 |
| BOLT,FLANGED,10X75 (Ref # 92153) | 92153-1384 | 1 |