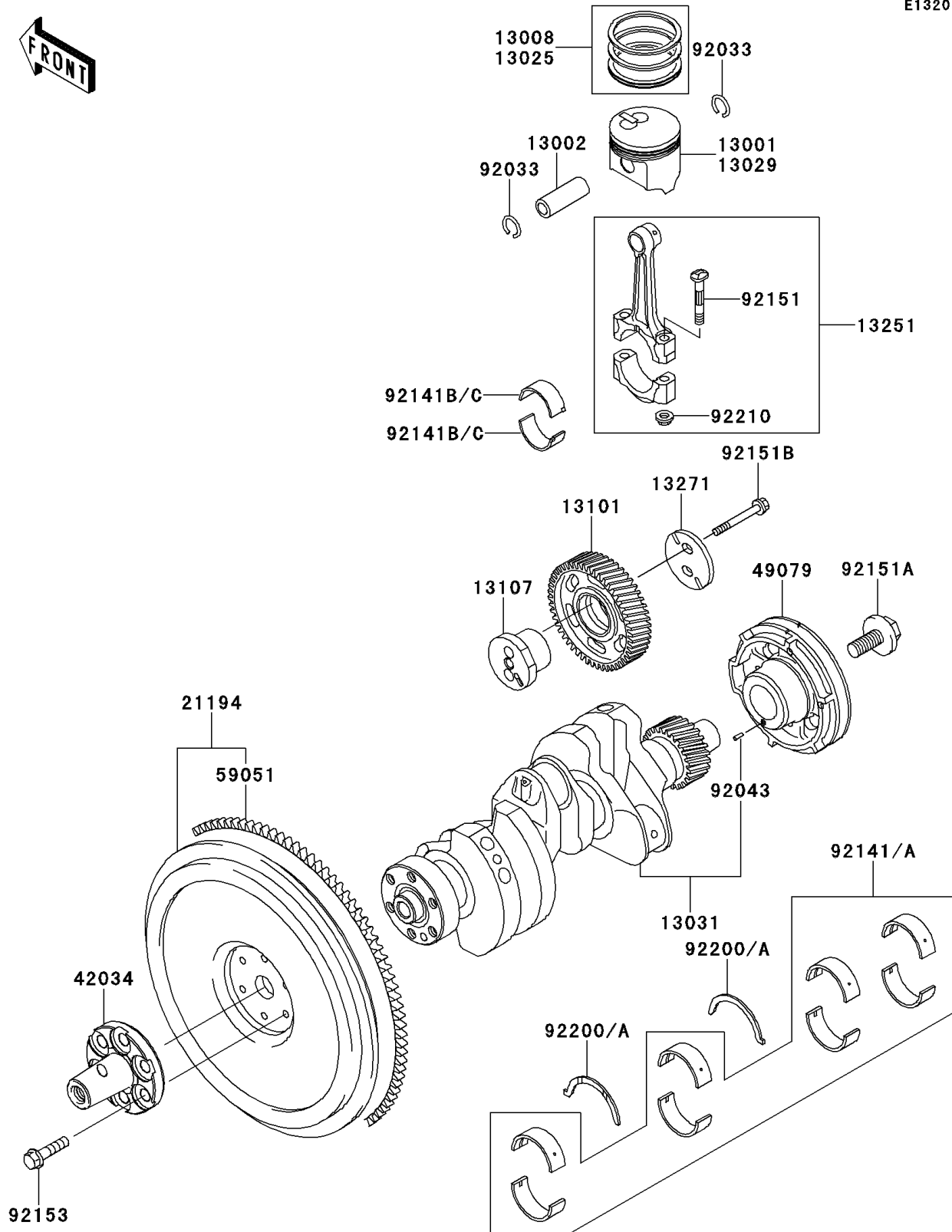


## 2012 MULE™ 4010 TRANS4x4® DIESEL PARTS

### Crankshaft/Piston(s) DIAGRAM

E1320



## 2012 MULE™ 4010 TRANS4x4® DIESEL PARTS LIST

Crankshaft/Piston(s)

ITEM NAME	PART NUMBER	QUANTITY
PISTON-ENGINE,STD (Ref # 13001)	13001-1571	1
PIN-PISTON (Ref # 13002)	13002-1118	1
RING-SET-PISTON,STD (Ref # 13008)	13008-1197	1
RING-SET-PISTON L,O/S 0.25 (Ref # 13025)	13025-1154	1
PISTON-ENGINE L,O/S 0.25 (Ref # 13029)	13029-1279	1
CRANKSHAFT-COMP (Ref # 13031)	13031-1497	1
GEAR-ASSY,IDLE (Ref # 13101)	13101-1292	1
SHAFT,IDLE GEAR (Ref # 13107)	13107-1431	1
ROD-ASSY-CONNECTING (Ref # 13251)	13251-0024	1
PLATE (Ref # 13271)	13271-1362	1
FLYWHEEL-COMP (Ref # 21194)	21194-1055	1
COUPLING (Ref # 42034)	42034-1197	1
PULLEY-BELT (Ref # 49079)	49079-1061	1
GEAR-SPUR,FLYWHEEL (Ref # 59051)	59051-1388	1
RING-SNAP,PISTON (Ref # 92033)	92033-1314	1
PIN,CRANKSHAFT GEAR (Ref # 92043)	92043-1612	1
BEARING-PLANE,CRANK SHAFT,STD (Ref # 92141)	92141-0002	1
BEARING-PLANE,CRANK SHAFT,U/S (Ref # 92141A)	92141-0003	1
BUSHING,CONNECTING ROD,STD (Ref # 92141B)	92141-1054	1
BUSHING,CONNECTING ROD,U/S (Ref # 92141C)	92141-1055	1
BOLT,CONNECTING ROD (Ref # 92151)	92151-1671	1
BOLT,PULLEY (Ref # 92151A)	92151-1672	1
BOLT,8X45 (Ref # 92151B)	92151-1674	1
BOLT,10X33 (Ref # 92153)	92153-0308	1
WASHER,THRUST,STD (Ref # 92200)	92200-1498	1
WASHER,THRUST,O/S 0.125 (Ref # 92200A)	92200-1499	1
NUT,CONNECTING ROD (Ref # 92210)	92210-1212	1