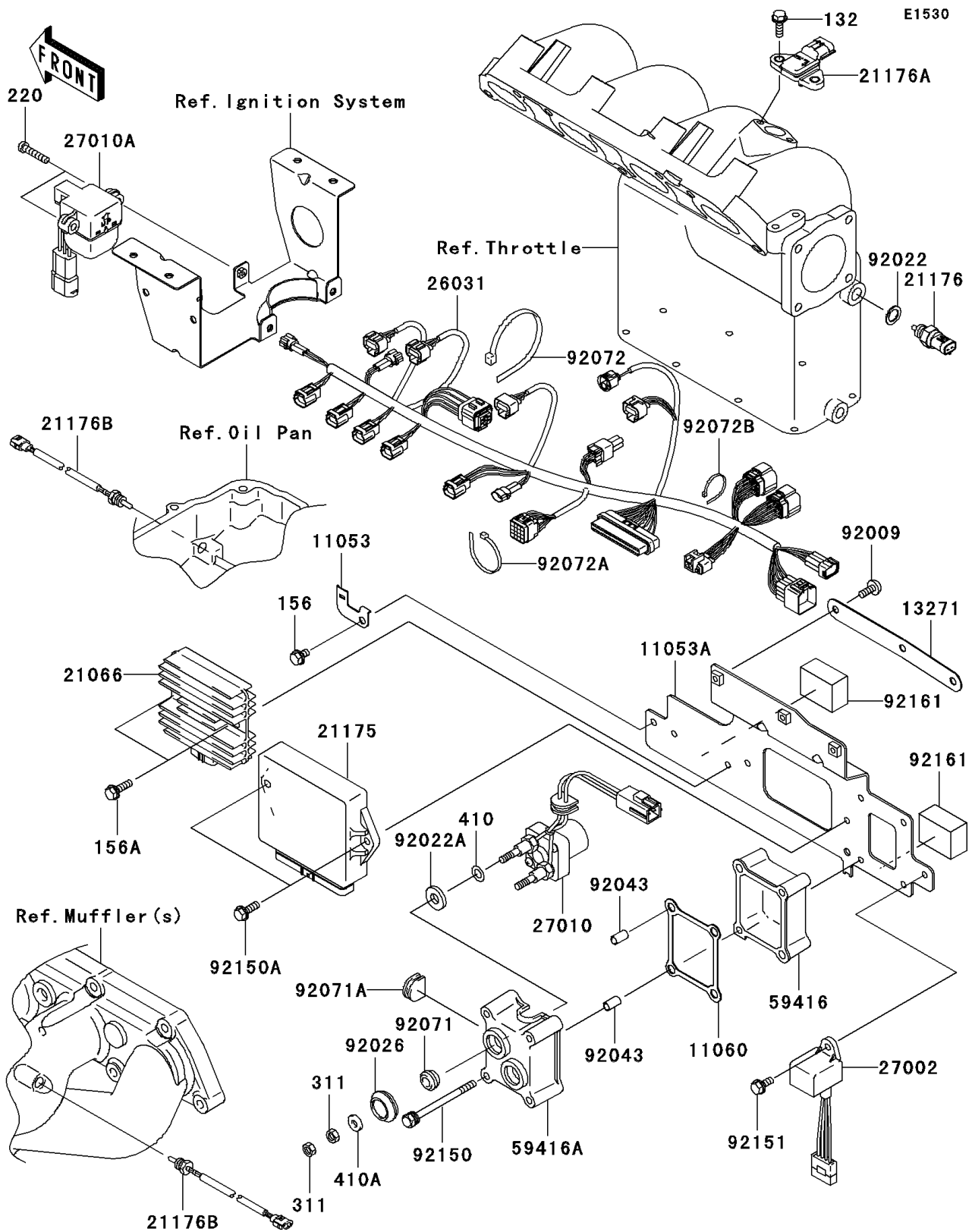


## 2005 STX-12F PARTS DIAGRAM

Fuel Injection



## 2005 STX-12F PARTS LIST

### Fuel Injection

ITEM NAME	PART NUMBER	QUANTITY
BRACKET,FUSE (Ref # 11053)	11053-3724	1
BRACKET,SWITCH (Ref # 11053A)	11053-3774	1
GASKET (Ref # 11060)	11060-3709	1
BOLT-FLANGED-SMALL,6X18 (Ref # 132)	132Y0618	1
PLATE (Ref # 13271)	13271-3842	1
BOLT-WP,6X10 (Ref # 156)	156R0610	1
BOLT-WP,6X20 (Ref # 156A)	156R0620	1
REGULATOR-VOLTAGE (Ref # 21066)	21066-3718	1
CONTROL UNIT-ELECTRONIC (Ref # 21175)	21175-3729	1
SENSOR,AIR TEMPERATURE (Ref # 21176)	21176-1086	1
SENSOR,PRESSURE (Ref # 21176A)	21176-3755	1
SENSOR,WATER TEMP (Ref # 21176B)	21176-3758	1
SCREW-PAN-CROSS,4X20 (Ref # 220)	220R0420	1
HARNESS (Ref # 26031)	26031-3717	1
RELAY-ASSY (Ref # 27002)	27002-3703	1
SWITCH (Ref # 27010)	27010-3777	1
SWITCH,SENSOR (Ref # 27010A)	27010-3785	1
NUT-HEX,6MM (Ref # 311)	311R0600	1
WASHER-PLAIN-SMALL,10MM (Ref # 410)	410B1000	1
WASHER-PLAIN-SMALL,6MM (Ref # 410A)	410S0600	1
CASE-ELECTRIC (Ref # 59416)	59416-3710	1
CASE-ELECTRIC (Ref # 59416A)	59416-3711	1
SCREW,6X15 (Ref # 92009)	92009-3830	1
WASHER,12X18X1.0 (Ref # 92022)	92022-1211	1
WASHER (Ref # 92022A)	92022-3035	1
SPACER (Ref # 92026)	92026-3703	1
PIN (Ref # 92043)	92043-3715	1
GROMMET (Ref # 92071)	92071-3004	1
GROMMET (Ref # 92071A)	92071-3837	1

## 2005 STX-12F PARTS LIST

Fuel Injection

ITEM NAME	PART NUMBER	QUANTITY
BAND,L=365 (Ref # 92072)	92072-1197	1
BAND,L=188 (Ref # 92072A)	92072-1239	1
BAND (Ref # 92072B)	92072-3874	1
BOLT,6X80 (Ref # 92150)	92150-3711	1
BOLT,6X18 (Ref # 92150A)	92150-3729	1
BOLT,6X14 (Ref # 92151)	92151-3788	1
DAMPER (Ref # 92161)	92161-3752	1