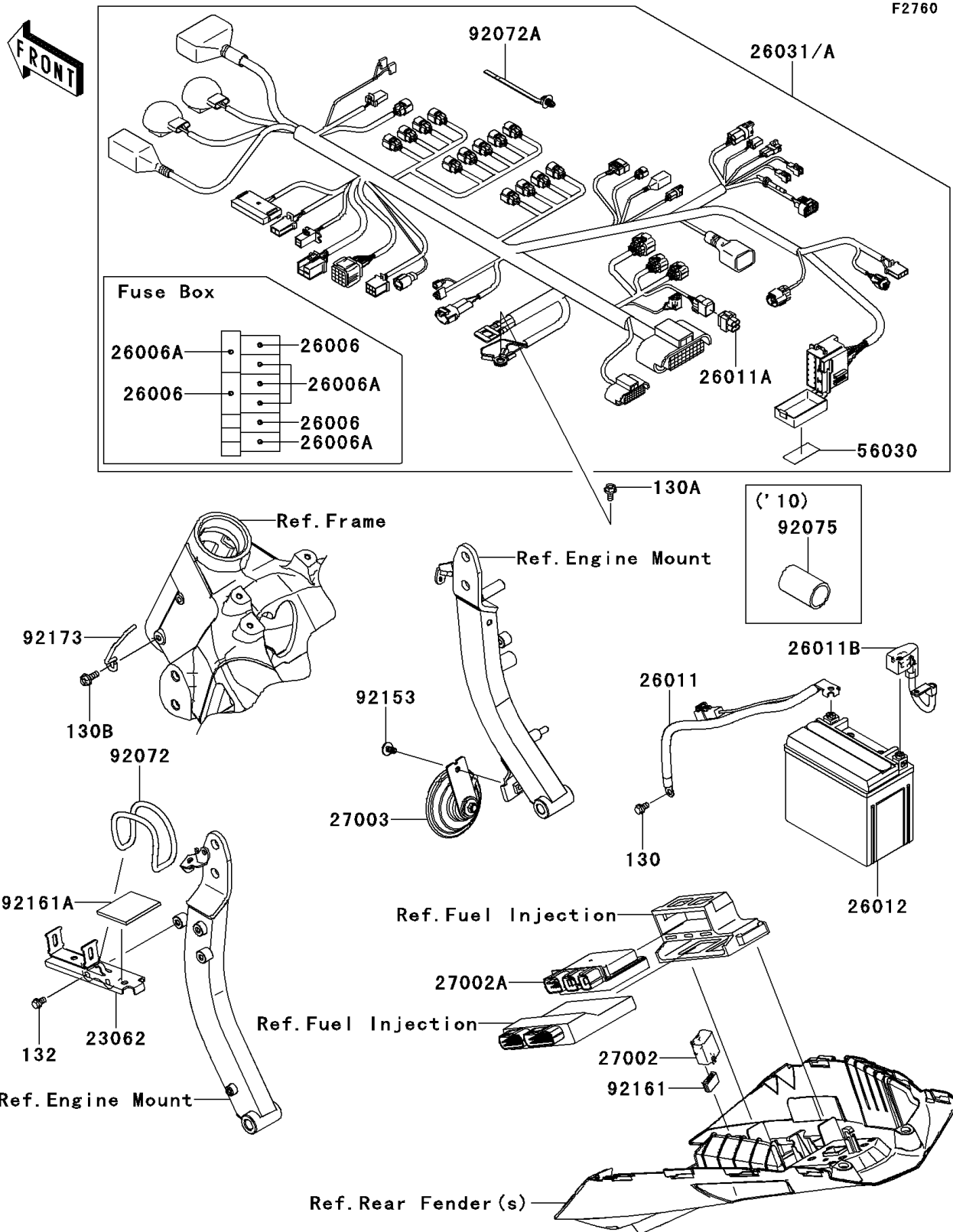


## 2013 Z1000 (Canadian) PARTS DIAGRAM

Chassis Electrical Equipment



## 2013 Z1000 (Canadian) PARTS LIST

Chassis Electrical Equipment

ITEM NAME	PART NUMBER	QUANTITY
BOLT-FLANGED,6X10 (Ref # 130)	130BA0610	1
BOLT-FLANGED,6X12 (Ref # 130A)	130BA0612	1
BOLT-FLANGED,6X16 (Ref # 130B)	130BA0616	1
BOLT-FLANGED-SMALL,6X10 (Ref # 132)	132BA0610	1
BRACKET-COMP (Ref # 23062)	23062-0117	1
FUSE,MINI BLADE,15A,BLUE (Ref # 26006)	26006-0001	1
FUSE,MINI BLADE,10A,RED (Ref # 26006A)	26006-1078	1
WIRE-LEAD,BATTERY(-) (Ref # 26011)	26011-0253	1
WIRE-LEAD,CAP (Ref # 26011A)	26011-0271	1
WIRE-LEAD,BATTERY(+) (Ref # 26011B)	26011-0285	1
BATTERY,YTX9-BS,12V 8AH (Ref # 26012)	26012-0088	1
HARNESS,MAIN (Ref # 26031A)	26031-1213	1
RELAY-ASSY,SIGNAL LAMP (Ref # 27002)	27002-0005	1
RELAY-ASSY (Ref # 27002A)	27002-0007	1
HORN (Ref # 27003)	27003-0066	1
LABEL,FUSE BOX (Ref # 56030)	56030-0361	1
BAND,79.6X5.7 (Ref # 92072)	92072-0118	1
BAND (Ref # 92072A)	92072-1414	1
BOLT,SOCKET,6X12 (Ref # 92153)	92153-1948	1
DAMPER,SIGNAL RELAY (Ref # 92161)	92161-0283	1
DAMPER,39X45X3 (Ref # 92161A)	92161-1360	1
CLAMP (Ref # 92173)	92173-0182	1