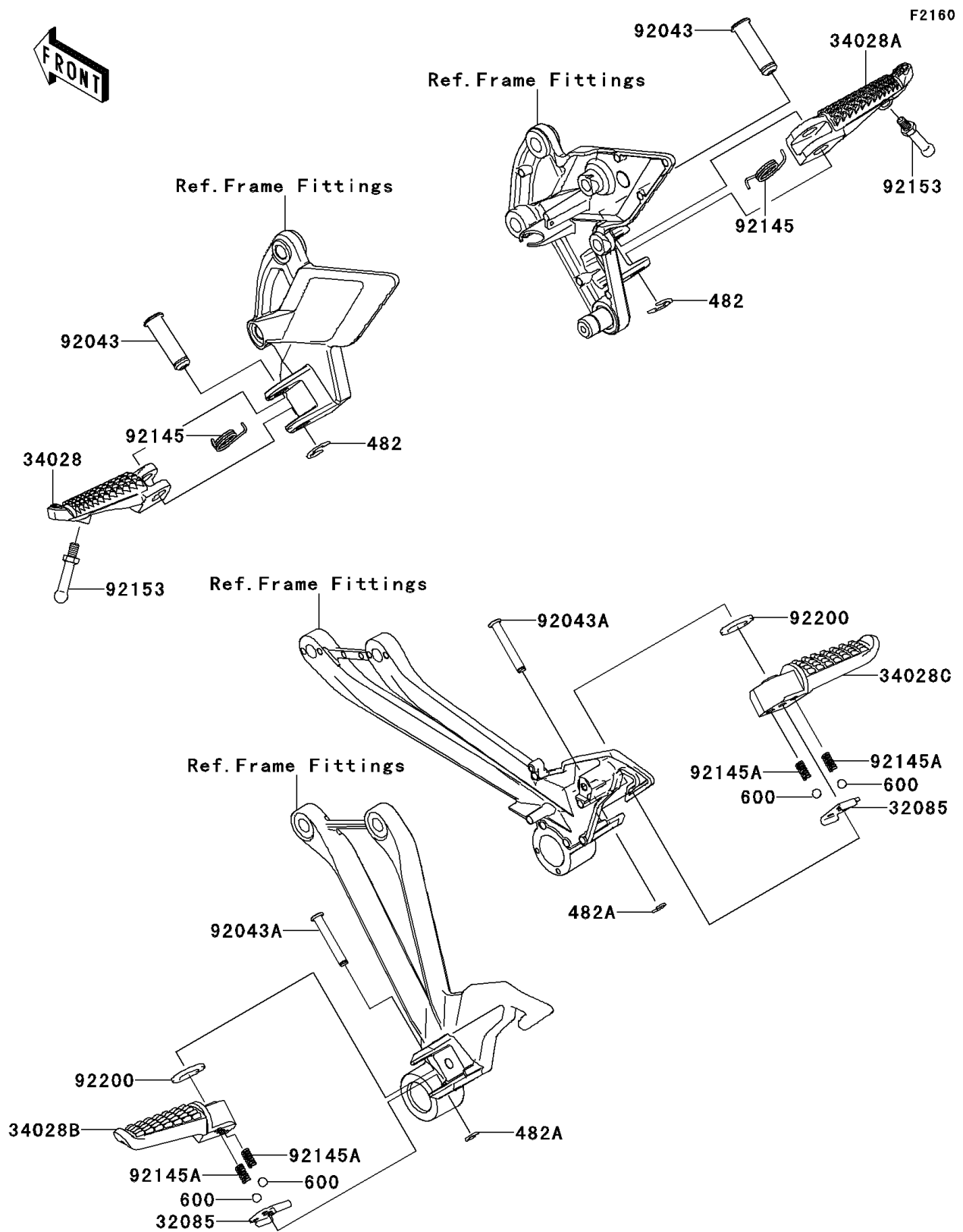


2013 Z1000 (Canadian) PARTS DIAGRAM

Footrests



2013 Z1000 (Canadian) PARTS LIST

Footrests

| ITEM NAME | PART NUMBER | QUANTITY |
|----------------------------------|-------------|----------|
| CIRCLIP-TYPE-E,10MM (Ref # 482) | 482EA0100 | 1 |
| CIRCLIP-TYPE-E (Ref # 482A) | 482EA5000 | 1 |
| BALL-STEEL,1/4 (Ref # 600) | 600A0800 | 1 |
| STOPPER,REAR STEP (Ref # 32085) | 32085-0047 | 1 |
| STEP,FR,LH (Ref # 34028) | 34028-0092 | 1 |
| STEP,FR,RH (Ref # 34028A) | 34028-0093 | 1 |
| STEP,RR,LH (Ref # 34028B) | 34028-0094 | 1 |
| STEP,RR,RH (Ref # 34028C) | 34028-0095 | 1 |
| PIN,12X42.5 (Ref # 92043) | 92043-1594 | 1 |
| PIN,6X40 (Ref # 92043A) | 92043-1595 | 1 |
| SPRING,STEP RETURN (Ref # 92145) | 92145-0603 | 1 |
| SPRING (Ref # 92145A) | 92145-1319 | 1 |
| BOLT,BANK SENSOR (Ref # 92153) | 92153-1938 | 1 |
| WASHER,16X26X2.3 (Ref # 92200) | 92200-0043 | 1 |