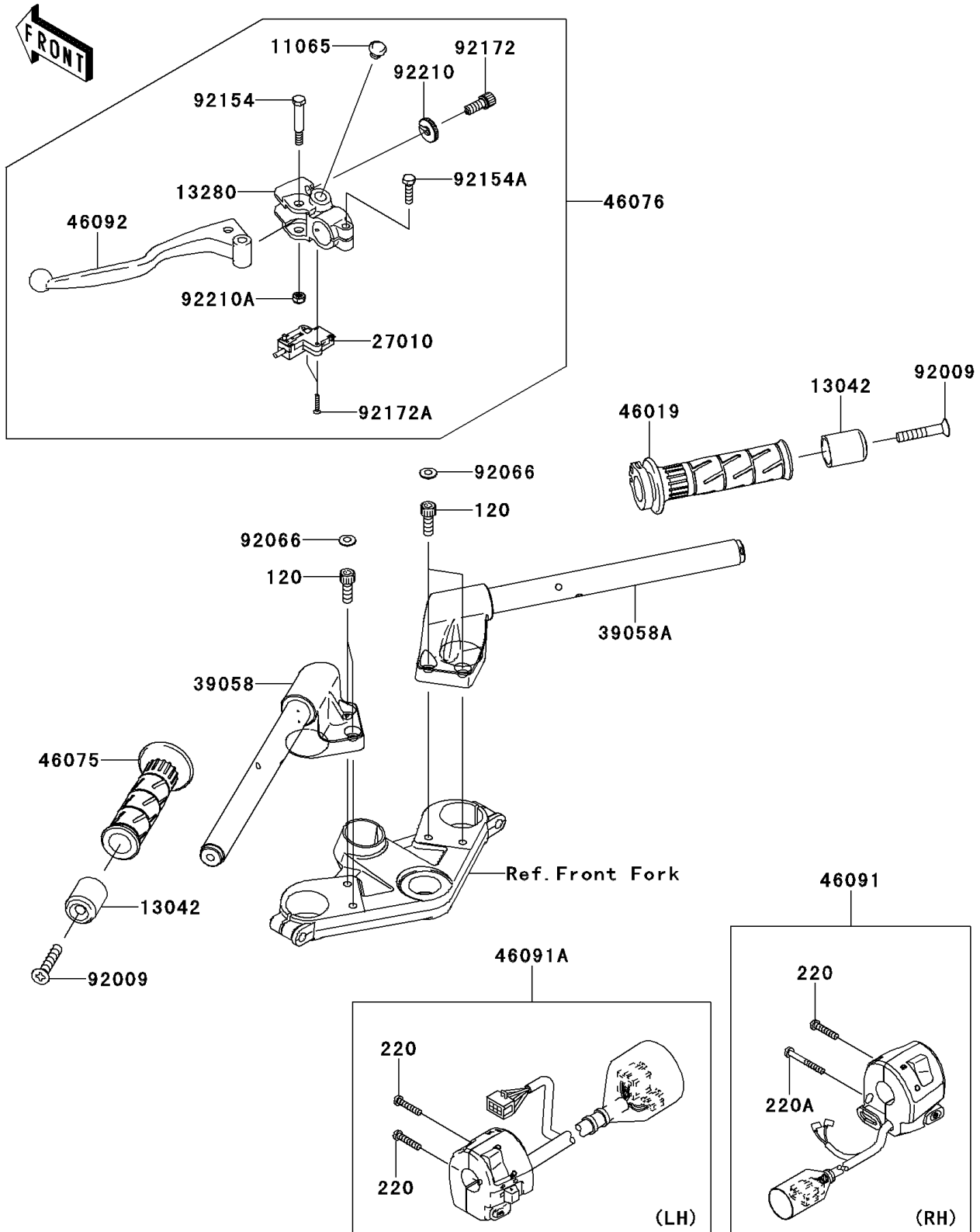


## 2014 Ninja® 300 SE PARTS DIAGRAM

Handlebar

F2310



## 2014 Ninja® 300 SE PARTS LIST

Handlebar

ITEM NAME	PART NUMBER	QUANTITY
BOLT-SOCKET,8X22 (Ref # 120)	120CB0822	1
SCREW-PAN-CROS,5X25 (Ref # 220)	220AB0525	1
SCREW-PAN-CROS,5X40 (Ref # 220A)	220AB0540	1
CAP,DUMMY (Ref # 11065)	11065-0218	1
WEIGHT,HANDLE (Ref # 13042)	13042-0032	1
HOLDER,CLUTCH LEVER (Ref # 13280)	13280-0295	1
SWITCH,CLUTCH (Ref # 27010)	27010-0729	1
HANDLE-COMP,LH,BLACK (Ref # 39058)	39058-0007-18R	1
HANDLE-COMP,RH,BLACK (Ref # 39058A)	39058-0008-18R	1
GRIP-ASSY,THROTTLE (Ref # 46019)	46019-0060	1
GRIP,HANDLE,LH (Ref # 46075)	46075-0564	1
LEVER-ASSY-GRIP,CLUTCH (Ref # 46076)	46076-0087	1
HOUSING-ASSY-CONTROL,RH (Ref # 46091)	46091-0205	1
HOUSING-ASSY-CONTROL,LH (Ref # 46091A)	46091-0249	1
LEVER-GRIP,CLUTCH (Ref # 46092)	46092-0043	1
SCREW,8X45 (Ref # 92009)	92009-1257	1
PLUG (Ref # 92066)	92066-1216	1
BOLT,CLUTCH LEVER (Ref # 92154)	92154-0066	1
BOLT (Ref # 92154A)	92154-0067	1
SCREW,CABLE ADJUST,8MM (Ref # 92172)	92172-0376	1
SCREW,3X16 (Ref # 92172A)	92172-0788	1
NUT,CABLE ADJUST,LOCK,8MM (Ref # 92210)	92210-0479	1
NUT,LOCK,6MM (Ref # 92210A)	92210-0480	1