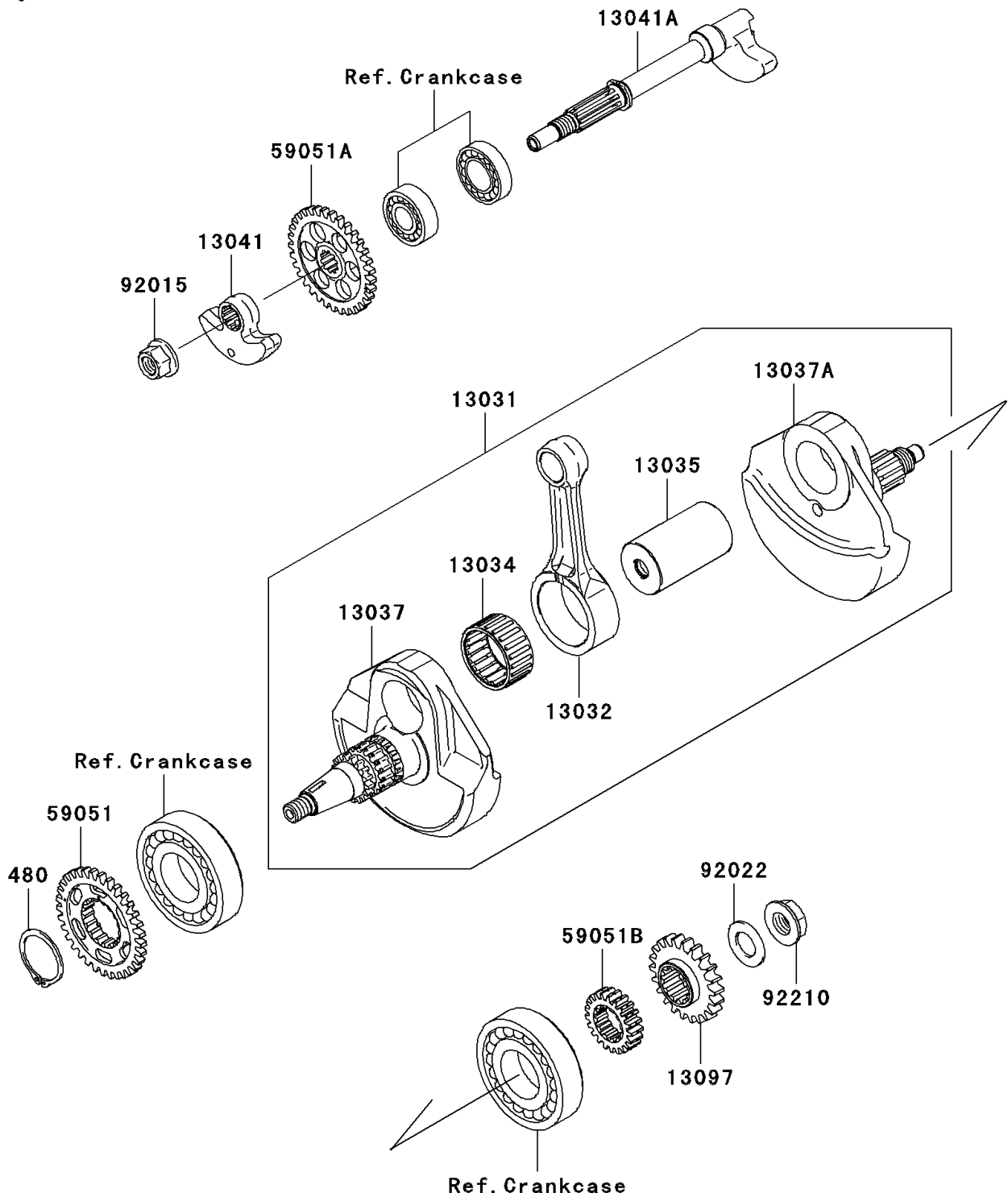


## 2008 KLX™450R PARTS DIAGRAM

Crankshaft

E1321



## 2008 KLX™450R PARTS LIST

### Crankshaft

ITEM NAME	PART NUMBER	QUANTITY
CIRCLIP-TYPE-C,32MM (Ref # 480)	480J3200	1
CRANKSHAFT-COMP (Ref # 13031)	13031-0086	1
ROD-CONNECTING (Ref # 13032)	13032-0060	1
BEARING-BIG END,B4 (Ref # 13034)	13034-0006	1
PIN-CRANK (Ref # 13035)	13035-0013	1
CRANKSHAFT,LH (Ref # 13037)	13037-0110	1
CRANKSHAFT,RH (Ref # 13037A)	13037-0111	1
BALANCER,WEIGHT (Ref # 13041)	13041-0023	1
BALANCER,SHAFT (Ref # 13041A)	13041-0024	1
GEAR-PRIMARY SPUR,22T (Ref # 13097)	13097-0013	1
GEAR-SPUR,BALANCER DRIVE,33T (Ref # 59051)	59051-0070	1
GEAR-SPUR,BALANCER DRIVEN,33T (Ref # 59051A)	59051-0071	1
GEAR-SPUR,OIL PUMP DRIVE,21T (Ref # 59051B)	59051-0075	1
NUT,FLANGED,12MM (Ref # 92015)	92015-1156	1
WASHER,16.3X29X1.75 (Ref # 92022)	92022-1356	1
NUT,LEFT HANDED,16MM (Ref # 92210)	92210-0350	1