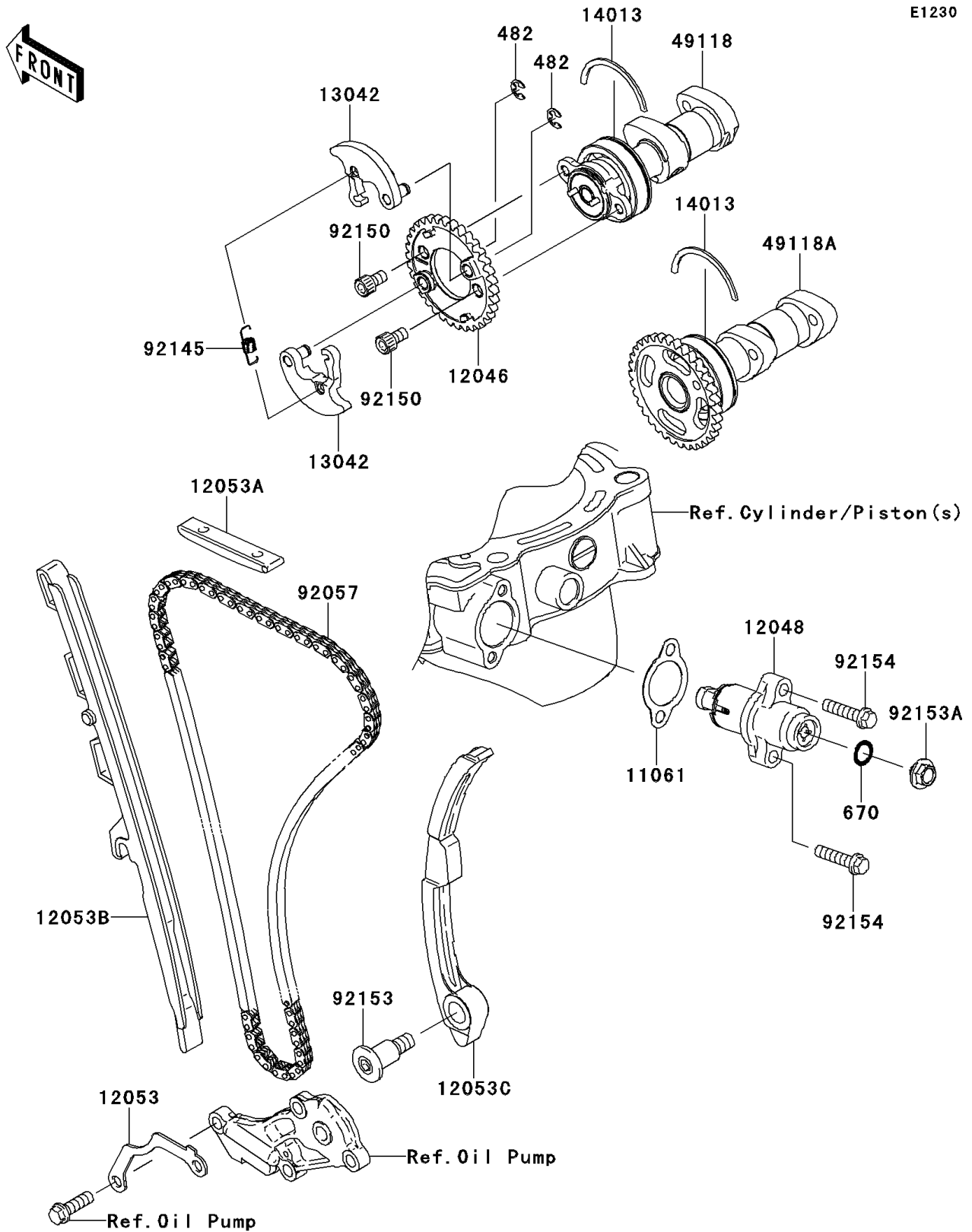


## 2012 KX™450F PARTS DIAGRAM

Camshaft(s)/Tensioner

E1230



## 2012 KX™450F PARTS LIST

Camshaft(s)/Tensioner

| ITEM NAME                                   | PART NUMBER | QUANTITY |
|---|-------------|----------|
| CIRCLIP-TYPE-E (Ref # 482)                  | 482J5000    | 1        |
| O RING (Ref # 670)                          | 670D2010    | 1        |
| GASKET (Ref # 11061)                        | 11061-0260  | 1        |
| SPROCKET,34T (Ref # 12046)                  | 12046-0071  | 1        |
| TENSIONER-ASSY (Ref # 12048)                | 12048-0021  | 1        |
| GUIDE-CHAIN,CAM CHAIN STOPPER (Ref # 12053) | 12053-0031  | 1        |
| GUIDE-CHAIN,UPP (Ref # 12053A)              | 12053-0051  | 1        |
| GUIDE-CHAIN,FR (Ref # 12053B)               | 12053-0135  | 1        |
| GUIDE-CHAIN,RR (Ref # 12053C)               | 12053-0136  | 1        |
| WEIGHT (Ref # 13042)                        | 13042-0005  | 1        |
| RING-POSITION (Ref # 14013)                 | 14013-0001  | 1        |
| CAMSHAFT-COMP,EXHAUST (Ref # 49118)         | 49118-0133  | 1        |
| CAMSHAFT-COMP,INTAKE (Ref # 49118A)         | 49118-0165  | 1        |
| CHAIN,CAM,98XRH2010-122M (Ref # 92057)      | 92057-0180  | 1        |
| SPRING (Ref # 92145)                        | 92145-0390  | 1        |
| BOLT,SOCKET,6X10 (Ref # 92150)              | 92150-1650  | 1        |
| BOLT,8X29.5 (Ref # 92153)                   | 92153-0717  | 1        |
| BOLT,6X6 (Ref # 92153A)                     | 92153-1380  | 1        |
| BOLT,FLANGED,6X25 (Ref # 92154)             | 92154-0520  | 1        |