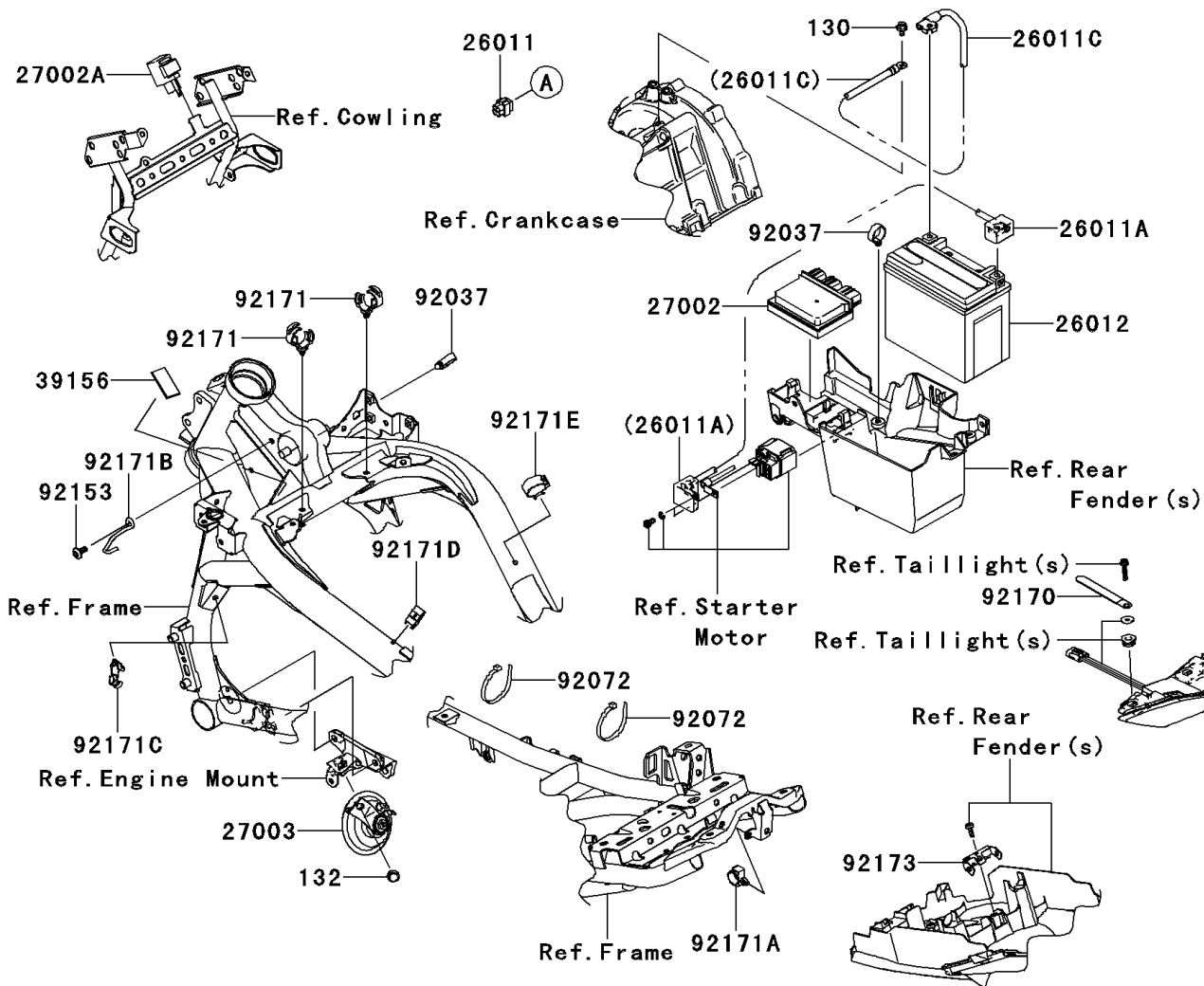
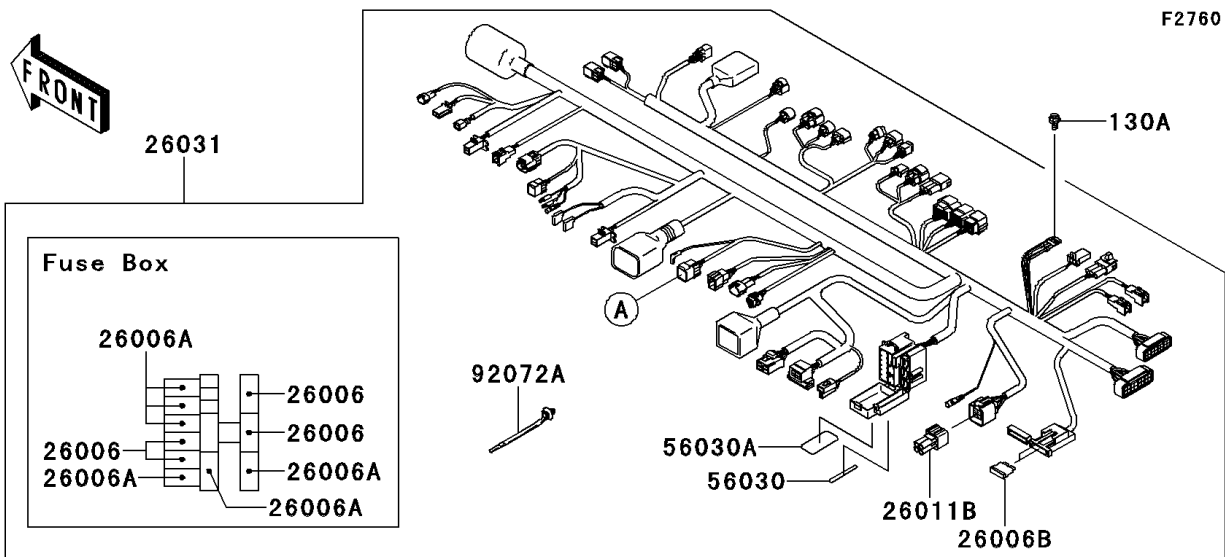


2011 VERSYS PARTS DIAGRAM

Chassis Electrical Equipment



2011 VERSYS PARTS LIST

Chassis Electrical Equipment

ITEM NAME	PART NUMBER	QUANTITY
BOLT-FLANGED,6X10 (Ref # 130)	130BA0610	1
BOLT-FLANGED,6X12 (Ref # 130A)	130BA0612	1
BOLT-FLANGED-SMALL,8X12 (Ref # 132)	132BB0812	1
FUSE,MINI BLADE,15A,BLUE (Ref # 26006)	26006-0001	1
FUSE,MINI BLADE,10A,RED (Ref # 26006A)	26006-1078	1
FUSE,BLADE,5A,TAN (Ref # 26006B)	26006-1082	1
WIRE-LEAD,SENSOR CONNECTOR (Ref # 26011)	26011-0101	1
WIRE-LEAD,BATTERY(+) (Ref # 26011A)	26011-0247	1
WIRE-LEAD,CAP (Ref # 26011B)	26011-0271	1
WIRE-LEAD,BATTERY(-) (Ref # 26011C)	26011-0301	1
BATTERY,FTX12-BS,12V 10AH (Ref # 26012)	26012-0109	1
HARNESS,MAIN (Ref # 26031)	26031-0956	1
RELAY-ASSY (Ref # 27002)	27002-0007	1
RELAY-ASSY,SIGNAL LAMP (Ref # 27002A)	27002-1097	1
HORN (Ref # 27003)	27003-0076	1
PAD,20X40X3 (Ref # 39156)	39156-0831	1
LABEL,FUSE BOX (Ref # 56030)	56030-0360	1
LABEL,FUSE BOX (Ref # 56030A)	56030-0419	1
CLAMP,HOSE (Ref # 92037)	92037-1827	1
BAND,L=365 (Ref # 92072)	92072-1197	1
BAND (Ref # 92072A)	92072-1414	1
BOLT,SOCKET,6X14 (Ref # 92153)	92153-1446	1
CLAMP (Ref # 92170)	92170-1925	1
CLAMP,DIA=20 (Ref # 92171)	92171-0069	1
CLAMP,BRAKE HOSE (Ref # 92171A)	92171-0316	1
CLAMP,HARNESS (Ref # 92171B)	92171-0657	1
CLAMP,DIA=13 (Ref # 92171C)	92171-1415	1
CLAMP,DIA=15 (Ref # 92171D)	92171-1424	1
CLAMP,DIA=25 (Ref # 92171E)	92171-1559	1

2011 VERSYS PARTS LIST

Chassis Electrical Equipment

ITEM NAME	PART NUMBER	QUANTITY
CLAMP,FUSE BOX (Ref # 92173)	92173-0218	1