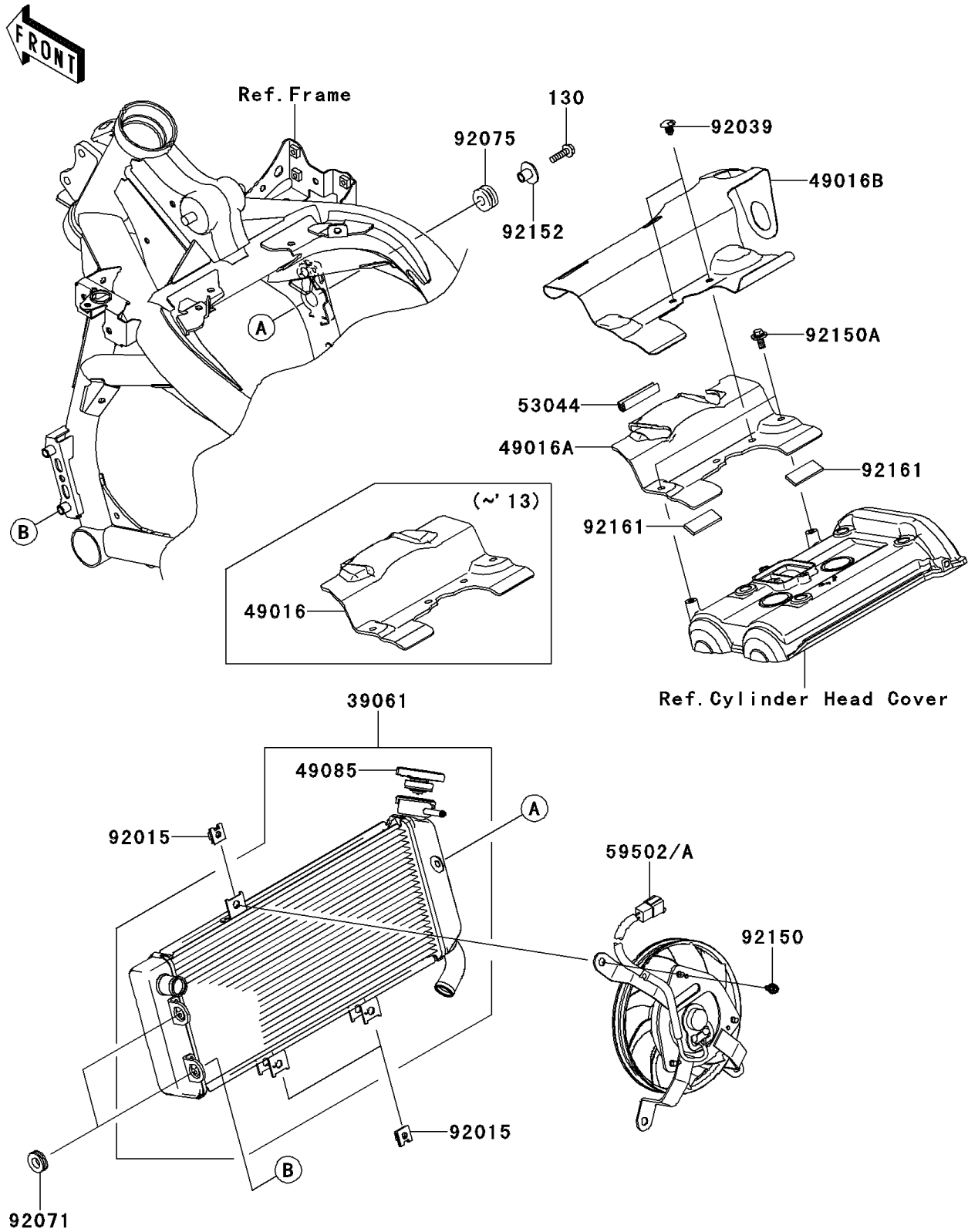


## 2011 VERSYS PARTS DIAGRAM

Radiator

E3032



## 2011 VERSYS PARTS LIST

Radiator

ITEM NAME	PART NUMBER	QUANTITY
BOLT-FLANGED,6X22 (Ref # 130)	130BA0622	1
RADIATOR-ASSY (Ref # 39061)	39061-0217	1
COVER-SEAL (Ref # 49016)	49016-0566	1
CAP-ASSY-PRESSURE (Ref # 49085)	49085-1066	1
TRIM,L=50 (Ref # 53044)	53044-1185	1
FAN-ASSY (Ref # 59502)	59502-0041	1
NUT (Ref # 92015)	92015-1487	1
GROMMET (Ref # 92071)	92071-1115	1
DAMPER (Ref # 92075)	92075-1690	1
BOLT,6X12 (Ref # 92150)	92150-1186	1
BOLT,FLANGED,6X14 (Ref # 92150A)	92150-1689	1
COLLAR,6.5X10X13.1 (Ref # 92152)	92152-0910	1
DAMPER (Ref # 92161)	92161-0301	1