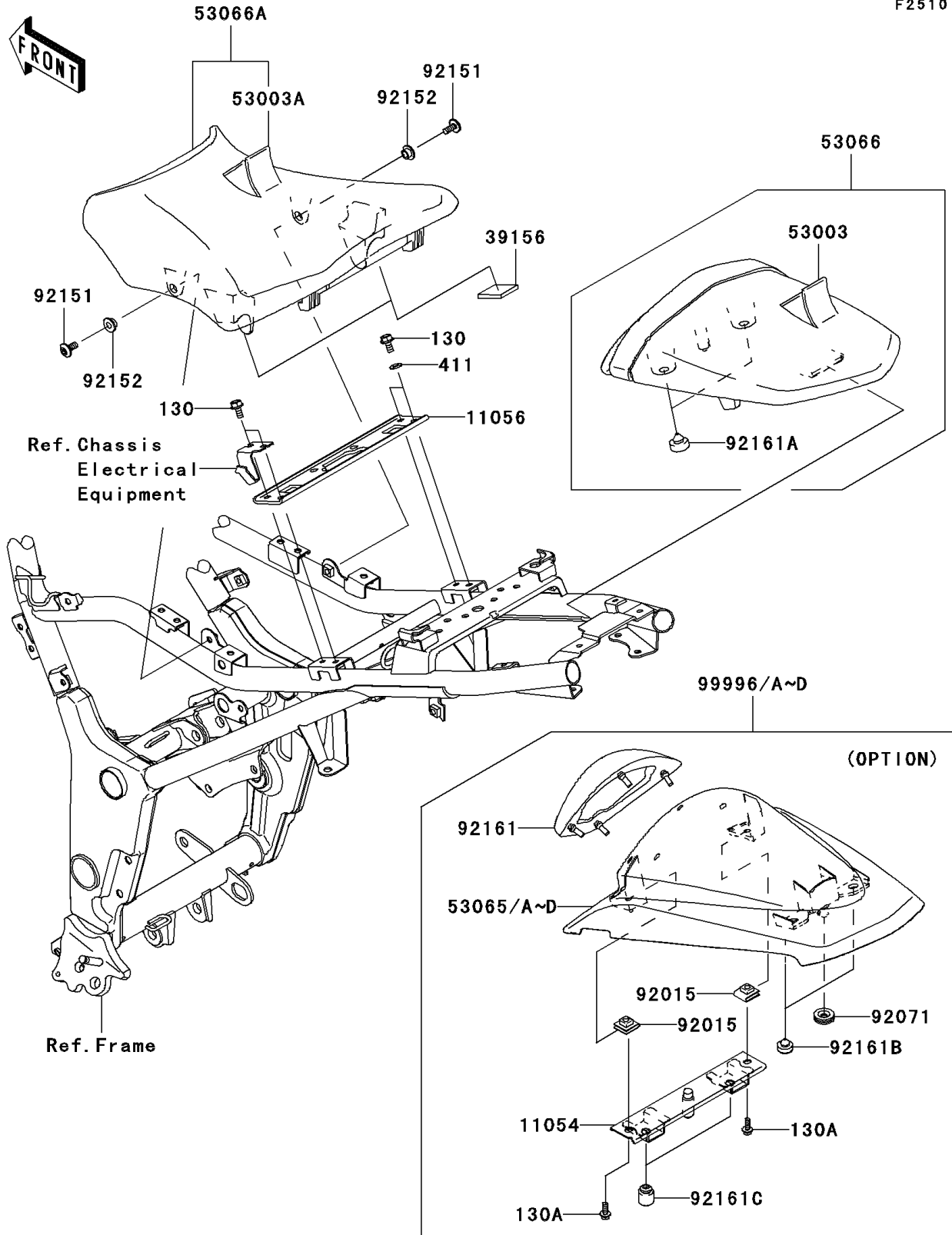


2011 NINJA® 250R PARTS DIAGRAM

Seat

F2510



2011 NINJA® 250R PARTS LIST

Seat

ITEM NAME	PART NUMBER	QUANTITY
BRACKET,SEAT COVER (Ref # 11054)	11054-1918	1
BRACKET,FR SEAT (Ref # 11056)	11056-0117	1
PAD,RUBBER SPONGE (Ref # 39156)	39156-0538	1
LEATHER,RR SEAT,BLACK (Ref # 53003)	53003-0200-MA	1
LEATHER,FR SEAT,BLACK (Ref # 53003A)	53003-0201-MA	1
COVER SEAT,EBONY (Ref # 53065)	53065-0018-H8	1
SEAT,RR,LEATHER BLK+BAND BLK (Ref # 53066)	53066-0276-12Y	1
SEAT-ASSY,FR,BLACK (Ref # 53066A)	53066-0277-MA	1
NUT,CLAMP,6MM (Ref # 92015)	92015-1531	1
GROMMET (Ref # 92071)	92071-056	1
BOLT,SOCKET,6X14 (Ref # 92151)	92151-1654	1
COLLAR,6.8X10(16)X6.6 (Ref # 92152)	92152-0842	1
DAMPER,SEAT COVER (Ref # 92161)	92161-0525	1
DAMPER,10X20X8 (Ref # 92161A)	92161-0855	2
DAMPER (Ref # 92161C)	92161-0860	1
KIT,SINGLE SEAT COVER,EBONY (Ref # 99996)	99996-1364-H8	1
BOLT-FLANGED,6X12 (Ref # 130)	130BA0612	1
BOLT-FLANGED,6X16 (Ref # 130A)	130BB0616	1
WASHER-PLAIN,6.5X13X1 (Ref # 411)	411AA0600	1
COVER SEAT,M.I.BLUE (Ref # 53065D)	53065-0018-35C	1
KIT,SINGLE SEAT COVER,M.I.BLUE (Ref # 99996D)	99996-1364-35C	1