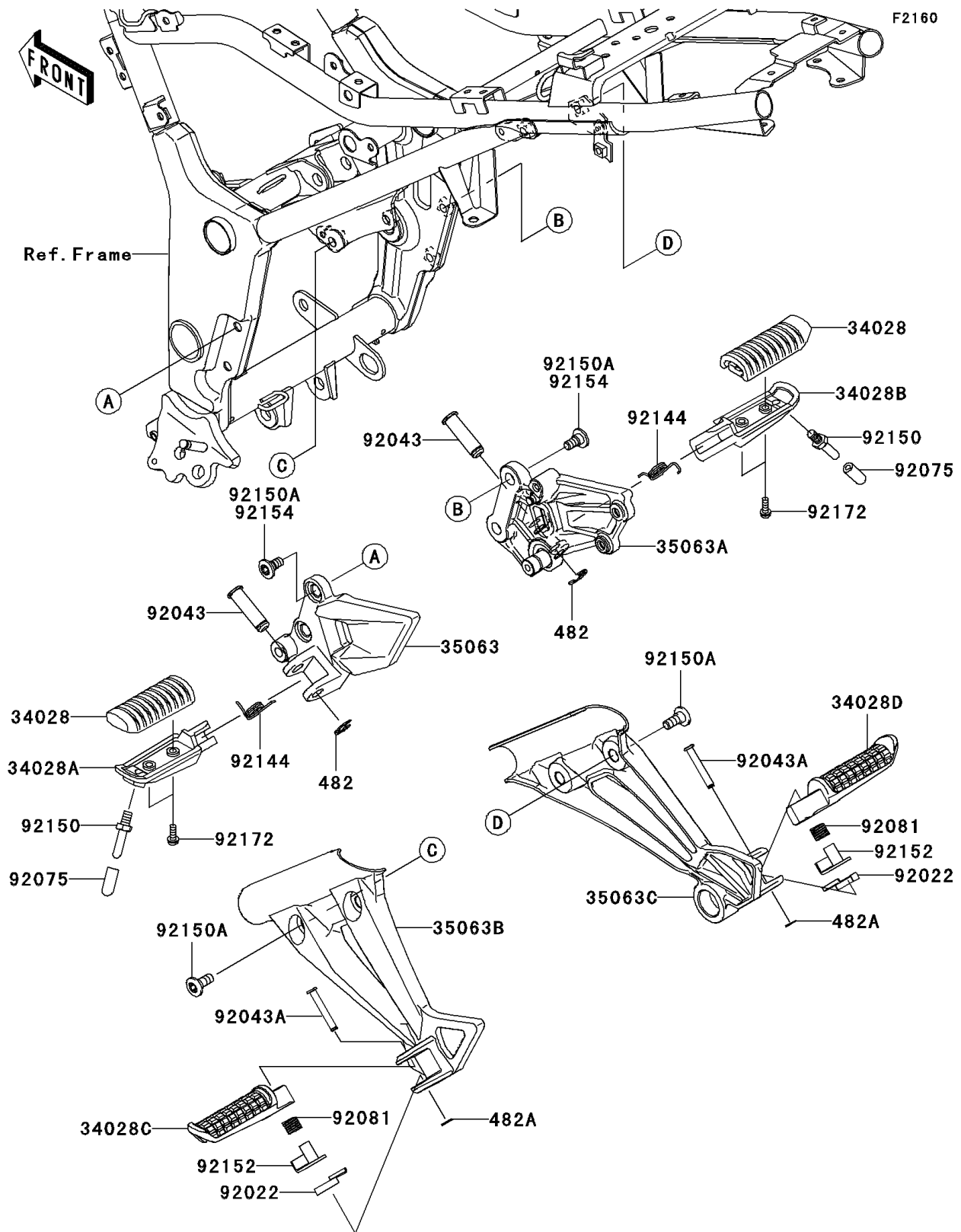


2011 NINJA® 250R PARTS DIAGRAM

Footrests



2011 NINJA® 250R PARTS LIST

Footrests

ITEM NAME	PART NUMBER	QUANTITY
CIRCLIP-TYPE-E,10MM (Ref # 482)	482EA0100	1
CIRCLIP-TYPE-E (Ref # 482A)	482EA5000	1
STEP,RUBBER,FR (Ref # 34028)	34028-0133	1
STEP,FR,LH (Ref # 34028A)	34028-1450	1
STEP,FR,RH (Ref # 34028B)	34028-1451	1
STEP,RR,LH (Ref # 34028C)	34028-1488	1
STEP,RR,RH (Ref # 34028D)	34028-1489	1
STAY,STEP HOLDER,FR,LH,BLACK (Ref # 35063)	35063-0385-18R	1
STAY,STEP HOLDER,FR,RH,BLACK (Ref # 35063A)	35063-0386-18R	1
STAY,STEP HOLDER,RR,LH,BLACK (Ref # 35063B)	35063-0626-18R	1
STAY,STEP HOLDER,RR,RH,BLACK (Ref # 35063C)	35063-0696-18R	1
WASHER,STOPPER (Ref # 92022)	92022-1661	1
PIN,12X37.5 (Ref # 92043)	92043-0026	1
PIN,6X40 (Ref # 92043A)	92043-0200	1
DAMPER (Ref # 92075)	92075-1980	1
SPRING,STEP,RR (Ref # 92081)	92081-1612	1
SPRING,STEP RETURN (Ref # 92144)	92144-1567	1
BOLT,BANK SENSOR (Ref # 92150)	92150-1002	1
BOLT,SOCKET,8X20 (Ref # 92150A)	92150-1760	1
COLLAR,STEP (Ref # 92152)	92152-0658	1
SCREW-PAN-WP-CROS,5X14 (Ref # 92172)	92172-0473	1