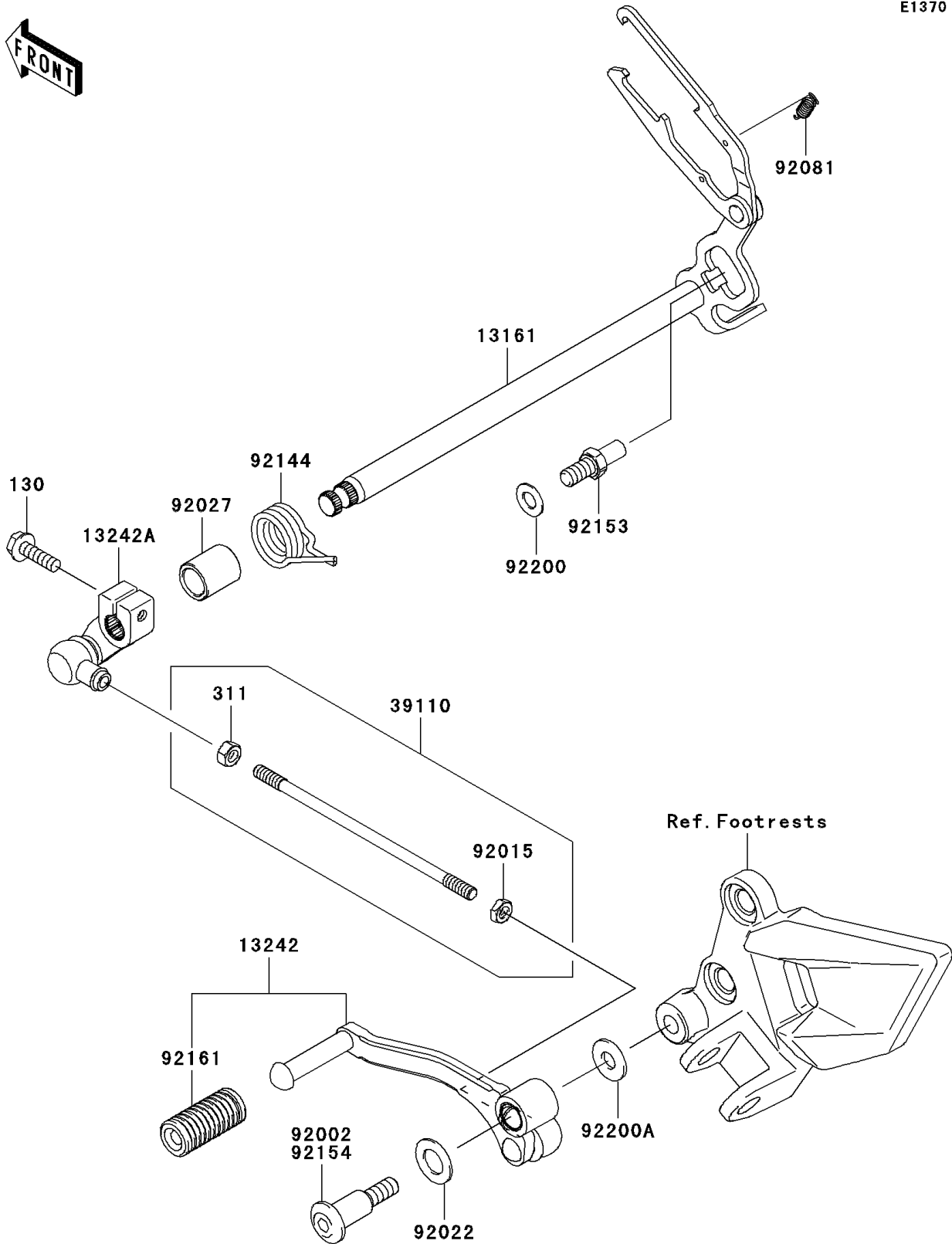


2011 NINJA® 250R PARTS DIAGRAM

Gear Change Mechanism

E1370



2011 NINJA® 250R PARTS LIST

Gear Change Mechanism

ITEM NAME	PART NUMBER	QUANTITY
BOLT-FLANGED,6X20 (Ref # 130)	130CB0620	1
NUT-HEX,6MM (Ref # 311)	311BB0600	1
LEVER-COMP-CHANGE SHAFT (Ref # 13161)	13161-0076	1
LEVER-ASSY-CHANGE,PEDAL (Ref # 13242)	13242-0065	1
LEVER-ASSY-CHANGE (Ref # 13242A)	13242-0071	1
ROD-ASSY-TIE (Ref # 39110)	39110-1075	1
BOLT,CHANGE PEDAL (Ref # 92002)	92002-1926	1
NUT,LEFT HANDED,6MM (Ref # 92015)	92015-1178	1
WASHER,12.5X22X1.2 (Ref # 92022)	92022-072	1
COLLAR,13X18.3X21.5 (Ref # 92027)	92027-1440	1
SPRING,CHANGE LEVER (Ref # 92081)	92081-076	1
SPRING,CHANGE PEDAL RETURN (Ref # 92144)	92144-1074	1
BOLT,8X15.5 (Ref # 92153)	92153-1986	1
DAMPER,CHANGE PEDAL (Ref # 92161)	92161-1300	1
WASHER,8.2X16X1 (Ref # 92200)	92200-0434	1
WASHER,8.5X20X1.6 (Ref # 92200A)	92200-0490	1