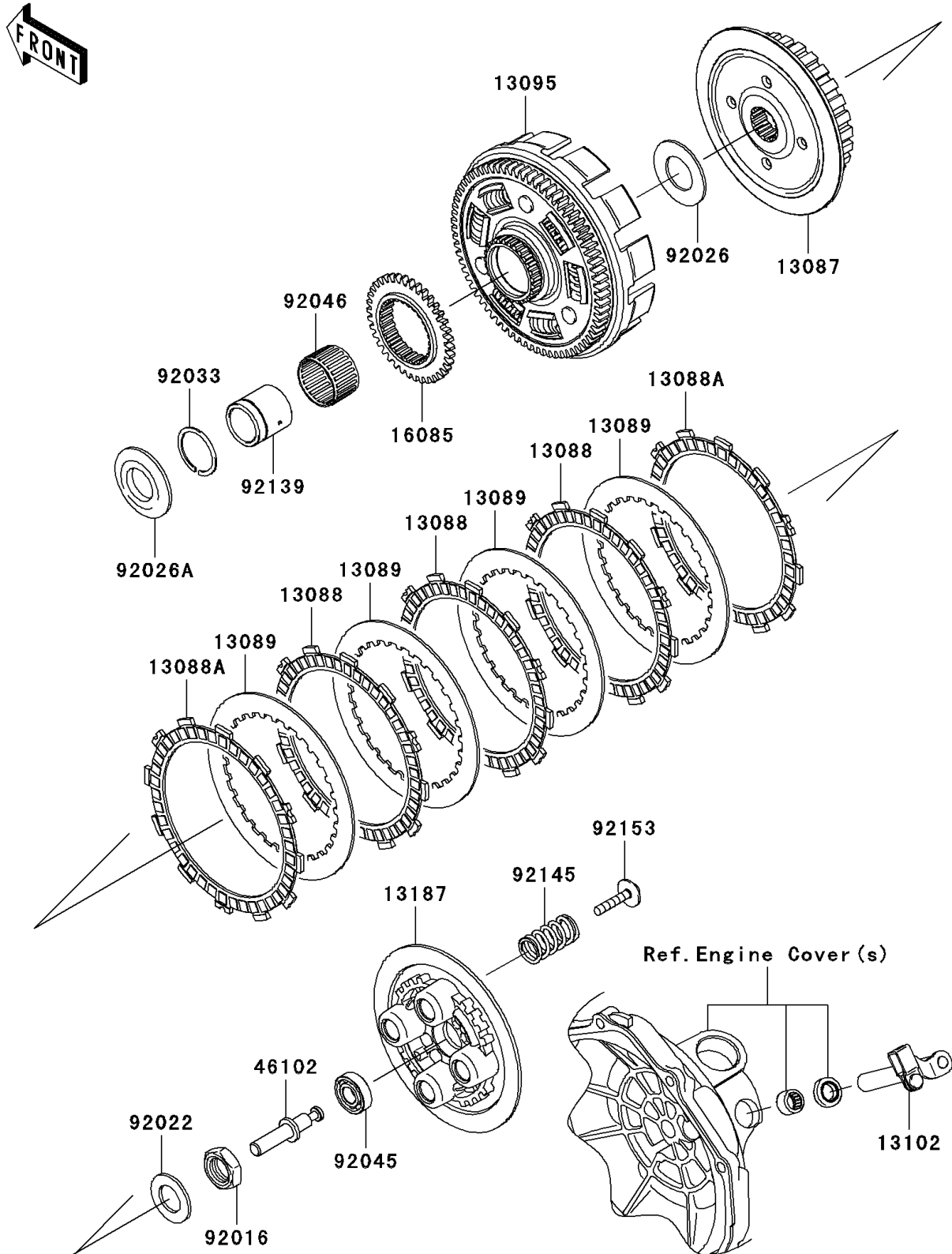


2011 NINJA® 250R PARTS DIAGRAM

Clutch

E1350



2011 NINJA® 250R PARTS LIST

Clutch

ITEM NAME	PART NUMBER	QUANTITY
HUB-CLUTCH (Ref # 13087)	13087-0039	1
PLATE-FRICTION (Ref # 13088)	13088-0038	1
PLATE-FRICTION (Ref # 13088A)	13088-0039	1
PLATE-CLUTCH (Ref # 13089)	13089-0021	1
HOUSING-COMP-CLUTCH,C MK,NONE (Ref # 13095)	13095-0097	1
RELEASE-COMP-CLUTCH (Ref # 13102)	13102-0040	1
PLATE-CLUTCH OPERATING (Ref # 13187)	13187-0015	1
GEAR,OILPUMP DRIVE,38T (Ref # 16085)	16085-0133	1
ROD (Ref # 46102)	46102-0114	1
NUT,20MM (Ref # 92016)	92016-028	1
WASHER,20.3X36X2.3 (Ref # 92022)	92022-1116	1
SPACER,25.5X48X2 (Ref # 92026)	92026-0114	1
SPACER,25X52X5.5 (Ref # 92026A)	92026-0115	1
RING-SNAP (Ref # 92033)	92033-1212	1
BEARING-BALL (Ref # 92045)	92045-0067	1
BEARING-NEEDLE,KTV323723 (Ref # 92046)	92046-028	1
BUSHING,25X32X32.1 (Ref # 92139)	92139-0295	1
SPRING (Ref # 92145)	92145-0531	1
BOLT,UPSET-WP,6X32 (Ref # 92153)	92153-1880	1