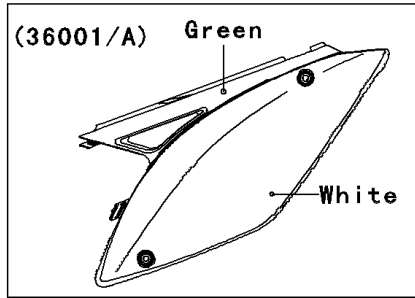


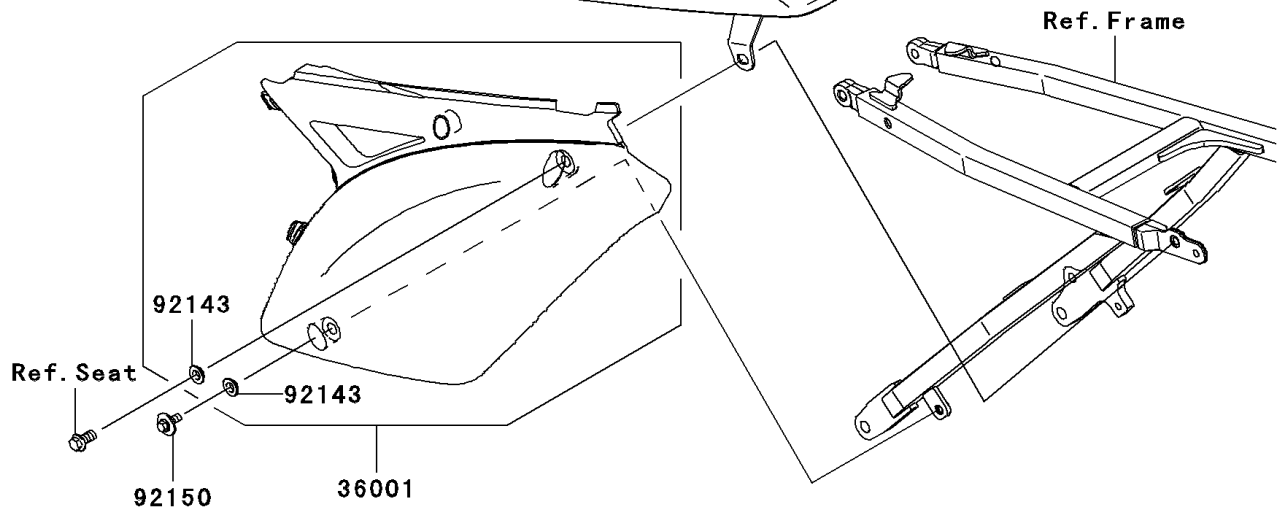
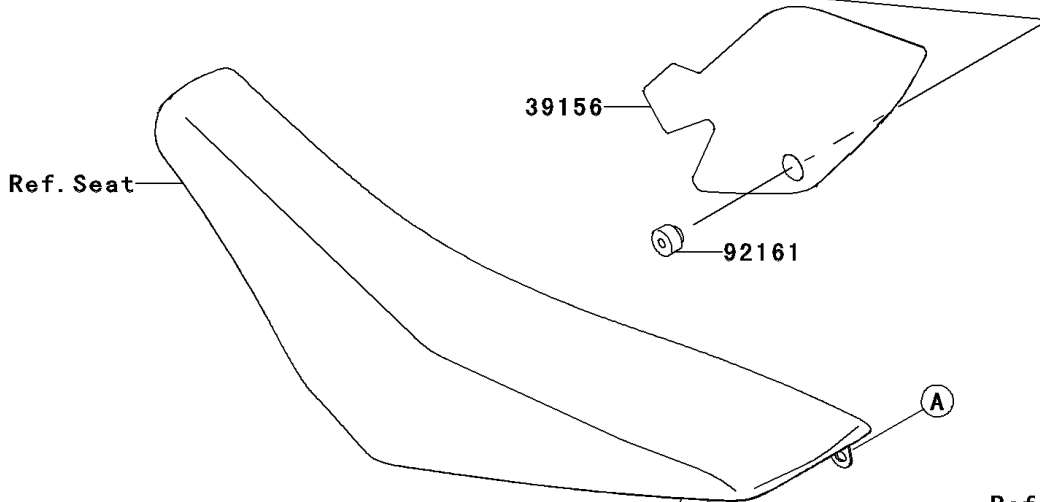
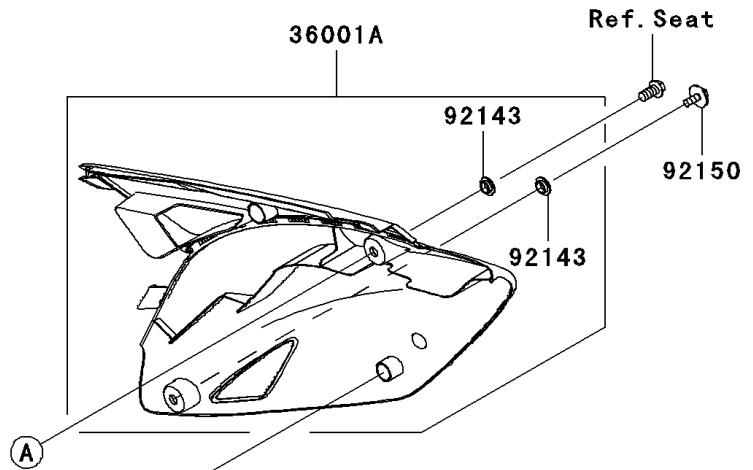
2011 KX™450F PARTS DIAGRAM

Side Covers

F2611



WOD



2011 KX™450F PARTS LIST

Side Covers

ITEM NAME	PART NUMBER	QUANTITY
COVER-SIDE,LH,UP GRN+LO WHITE (Ref # 36001)	36001-0151-25N	1
COVER-SIDE,RH,UP GRN+LO WHITE (Ref # 36001A)	36001-0153-25N	1
PAD,SIDE COVER,RH (Ref # 39156)	39156-0427	1
COLLAR (Ref # 92143)	92143-1196	1
BOLT,FLANGED,6X16 (Ref # 92150)	92150-1506	1
DAMPER (Ref # 92161)	92161-0073	1