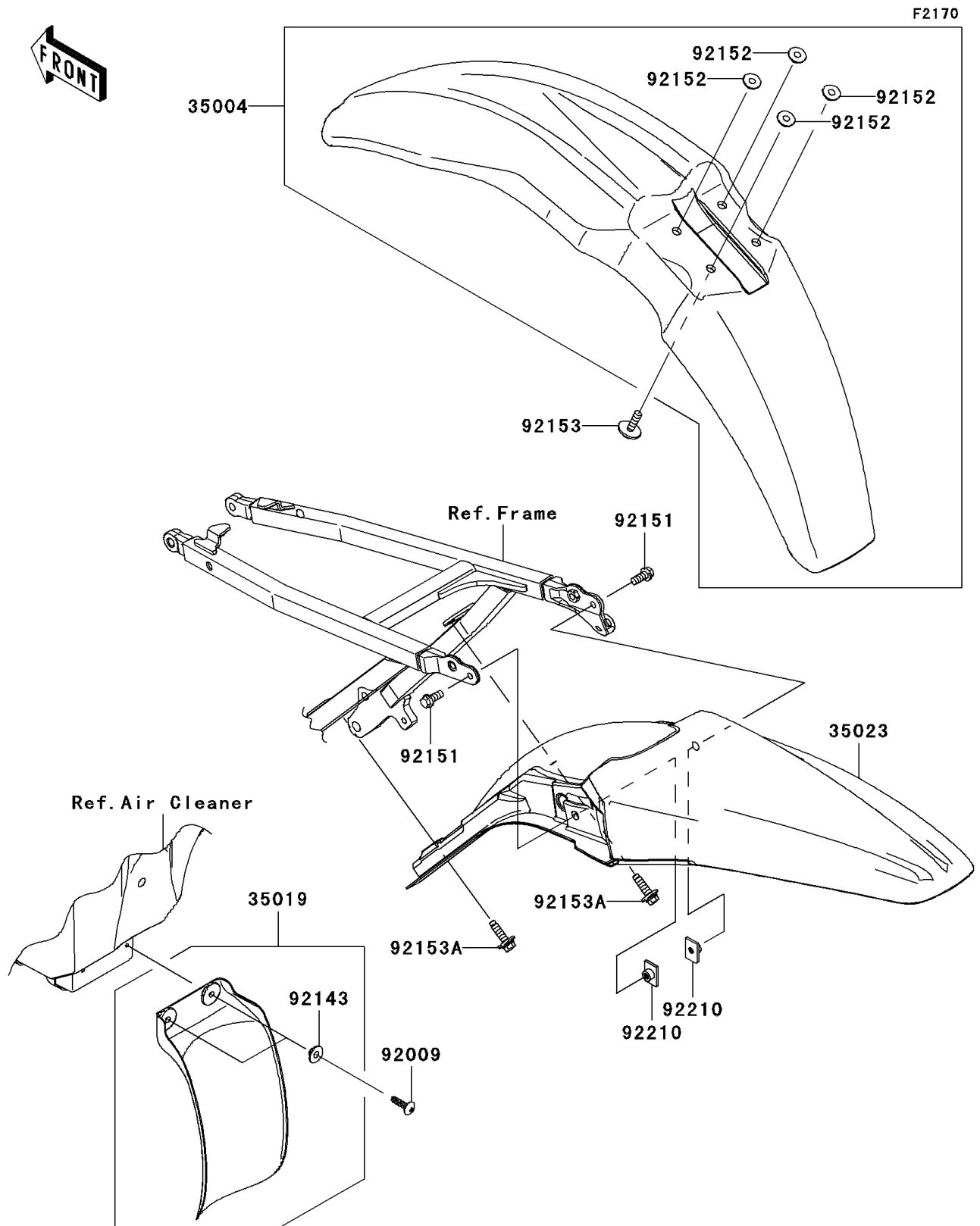


## 2011 KX™450F PARTS DIAGRAM

Fenders



## 2011 KX™450F PARTS LIST

### Fenders

ITEM NAME	PART NUMBER	QUANTITY
FENDER-FRONT,L.GREEN (Ref # 35004)	35004-0139-290	1
FLAP,AIR FILTER (Ref # 35019)	35019-0050	1
FENDER-REAR,L.GREEN (Ref # 35023)	35023-0180-290	1
SCREW,TAPPING,5X20 (Ref # 92009)	92009-1993	1
COLLAR (Ref # 92143)	92143-1087	1
BOLT,6X14 (Ref # 92151)	92151-1423	1
COLLAR (Ref # 92152)	92152-1422	1
BOLT,6X20 (Ref # 92153)	92153-0864	1
BOLT,FLANGED,6X23 (Ref # 92153A)	92153-1852	1
NUT,PLATE,6MM (Ref # 92210)	92210-1352	1