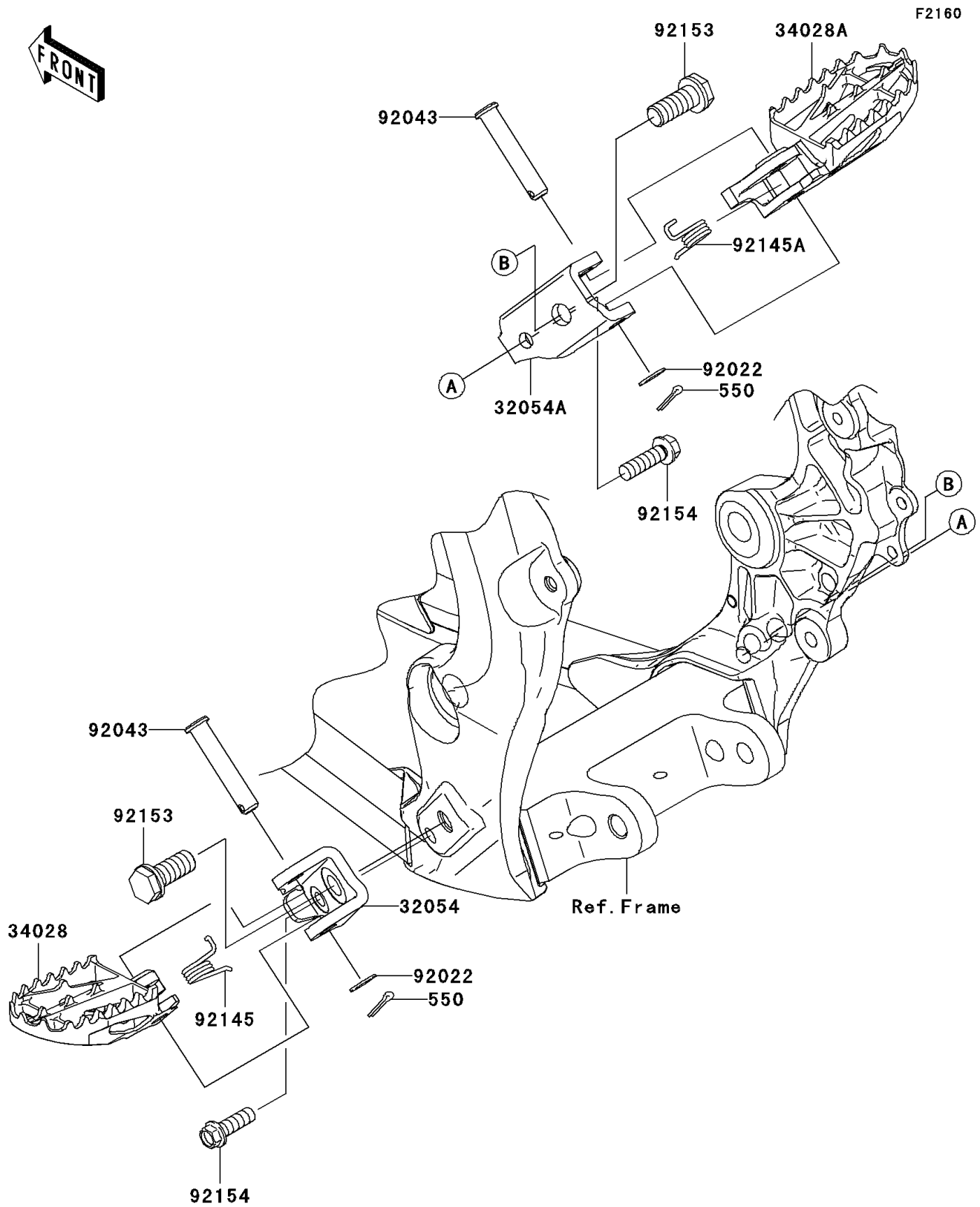


2011 KX™450F PARTS DIAGRAM

Footrests



2011 KX™450F PARTS LIST

Footrests

| ITEM NAME | PART NUMBER | QUANTITY |
|----------------------------------|-------------|----------|
| PIN-COTTER,3.0X20 (Ref # 550) | 550S3020 | 1 |
| BRACKET-STEP,LH (Ref # 32054) | 32054-0049 | 1 |
| BRACKET-STEP,RH (Ref # 32054A) | 32054-0050 | 1 |
| STEP,LH (Ref # 34028) | 34028-0104 | 1 |
| STEP,RH (Ref # 34028A) | 34028-0105 | 1 |
| WASHER,10.2X16X1 (Ref # 92022) | 92022-1829 | 1 |
| PIN,10X42.5 (Ref # 92043) | 92043-0074 | 1 |
| SPRING,STEP,LH (Ref # 92145) | 92145-0800 | 1 |
| SPRING,STEP,RH (Ref # 92145A) | 92145-0801 | 1 |
| BOLT,FLANGED,12X23 (Ref # 92153) | 92153-0653 | 1 |
| BOLT,FLANGED,8X25 (Ref # 92154) | 92154-0515 | 1 |