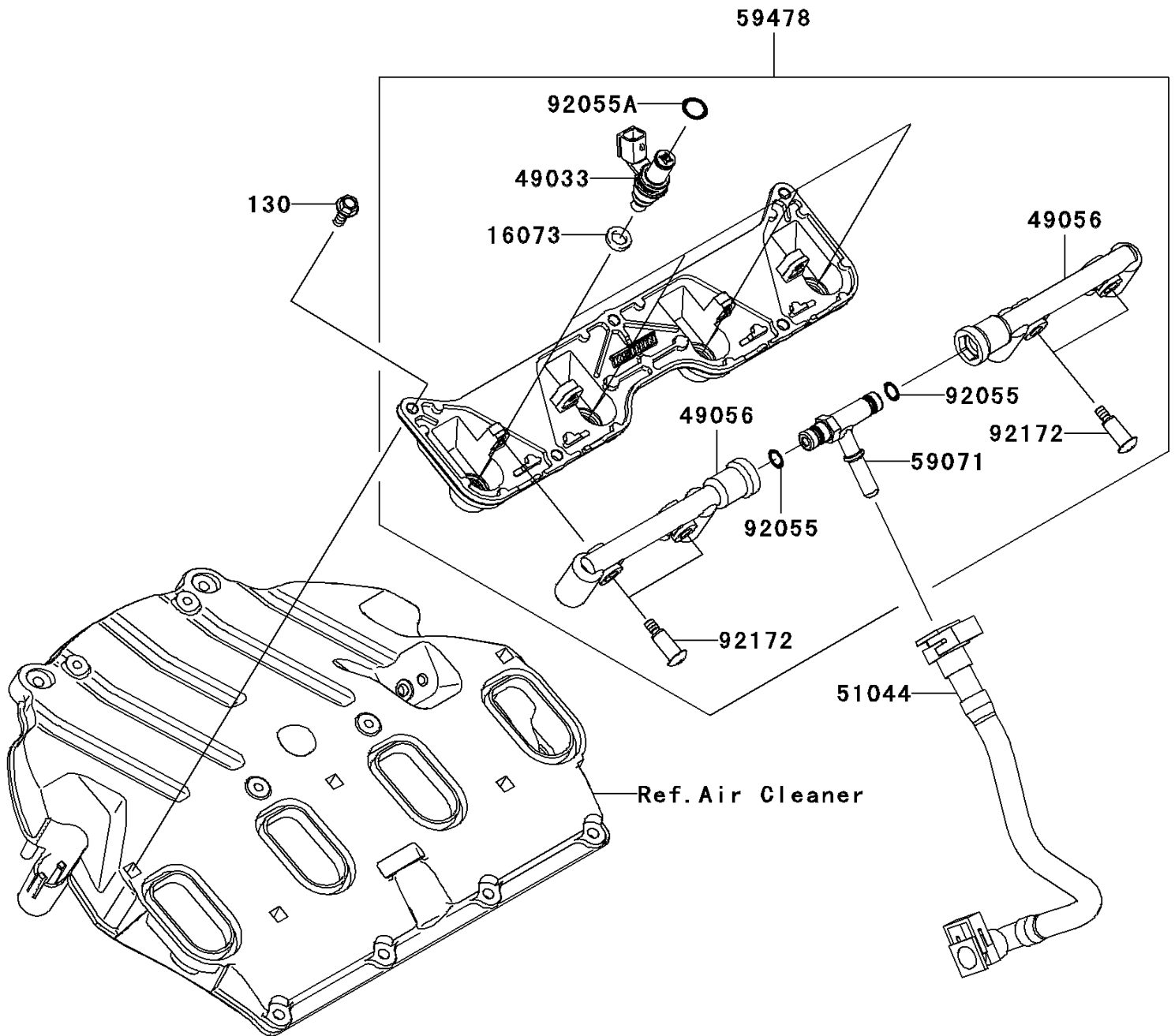


2010 NINJA® ZX™-10R PARTS DIAGRAM

Top Feed Injector

E1515



2010 NINJA® ZX™-10R PARTS LIST

Top Feed Injector

ITEM NAME	PART NUMBER	QUANTITY
BOLT-FLANGED,5X14 (Ref # 130)	130BB0514	1
INSULATOR (Ref # 16073)	16073-0076	1
NOZZLE-INJECTION (Ref # 49033)	49033-0017	1
PIPE-INJECTION (Ref # 49056)	49056-0025	1
TUBE-ASSY,FUEL (Ref # 51044)	51044-0046	1
JOINT (Ref # 59071)	59071-0062	1
NOZZLE-ASSY (Ref # 59478)	59478-0006	1
RING-O (Ref # 92055)	92055-0064	1
RING-O (Ref # 92055A)	92055-0170	1
SCREW,PIPE INJECTION (Ref # 92172)	92172-0064	1