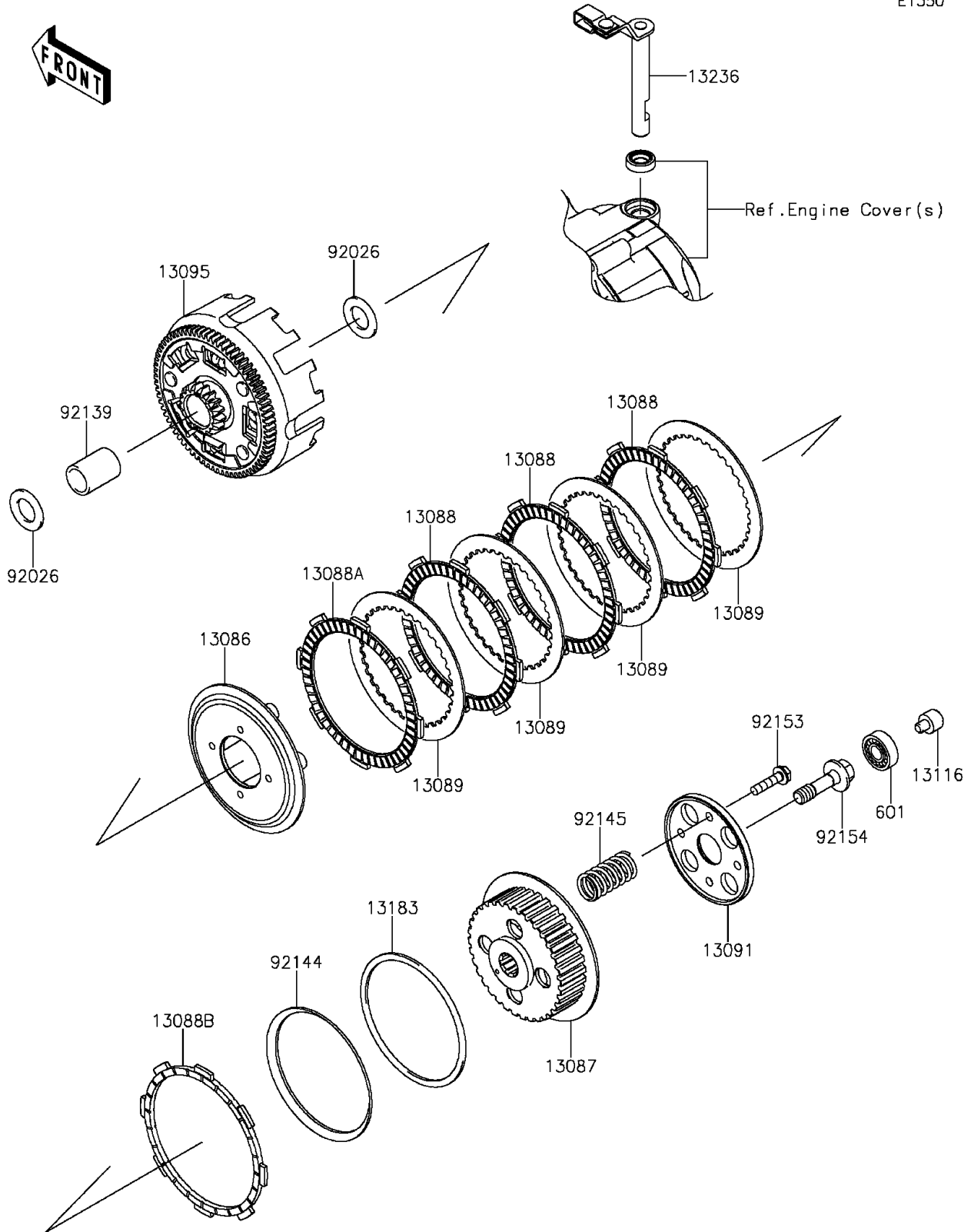


## 2014 KLX® 150L PARTS DIAGRAM

Clutch

E1350



## 2014 KLX® 150L PARTS LIST

### Clutch

| ITEM NAME                               | PART NUMBER | QUANTITY |
|---|-------------|----------|
| BEARING-BALL (Ref # 601)                | 601A6000    | 1        |
| WHEEL-CLUTCH (Ref # 13086)              | 13086-1070  | 1        |
| HUB-CLUTCH (Ref # 13087)                | 13087-1161  | 1        |
| PLATE-FRICTION (Ref # 13088)            | 13088-0040  | 1        |
| PLATE-FRICTION (Ref # 13088A)           | 13088-0041  | 1        |
| PLATE-FRICTION,ID=100 (Ref # 13088B)    | 13088-1077  | 1        |
| PLATE-CLUTCH (Ref # 13089)              | 13089-1108  | 1        |
| HOLDER,CLUTCH SPRING (Ref # 13091)      | 13091-1920  | 1        |
| HOUSING-COMP-CLUTCH (Ref # 13095)       | 13095-0571  | 1        |
| ROD-PUSH (Ref # 13116)                  | 13116-0706  | 1        |
| PLATE (Ref # 13183)                     | 13183-1274  | 1        |
| LEVER-COMP,CLUTCH RELEASE (Ref # 13236) | 13236-0174  | 1        |
| SPACER (Ref # 92026)                    | 92026-1614  | 1        |
| BUSHING,17X22X30 (Ref # 92139)          | 92139-0798  | 1        |
| SPRING,CLUTCH (Ref # 92144)             | 92144-1289  | 1        |
| SPRING (Ref # 92145)                    | 92145-0861  | 1        |
| BOLT,6X25 (Ref # 92153)                 | 92153-1067  | 1        |
| BOLT,FLANGED,10X36 (Ref # 92154)        | 92154-1056  | 1        |