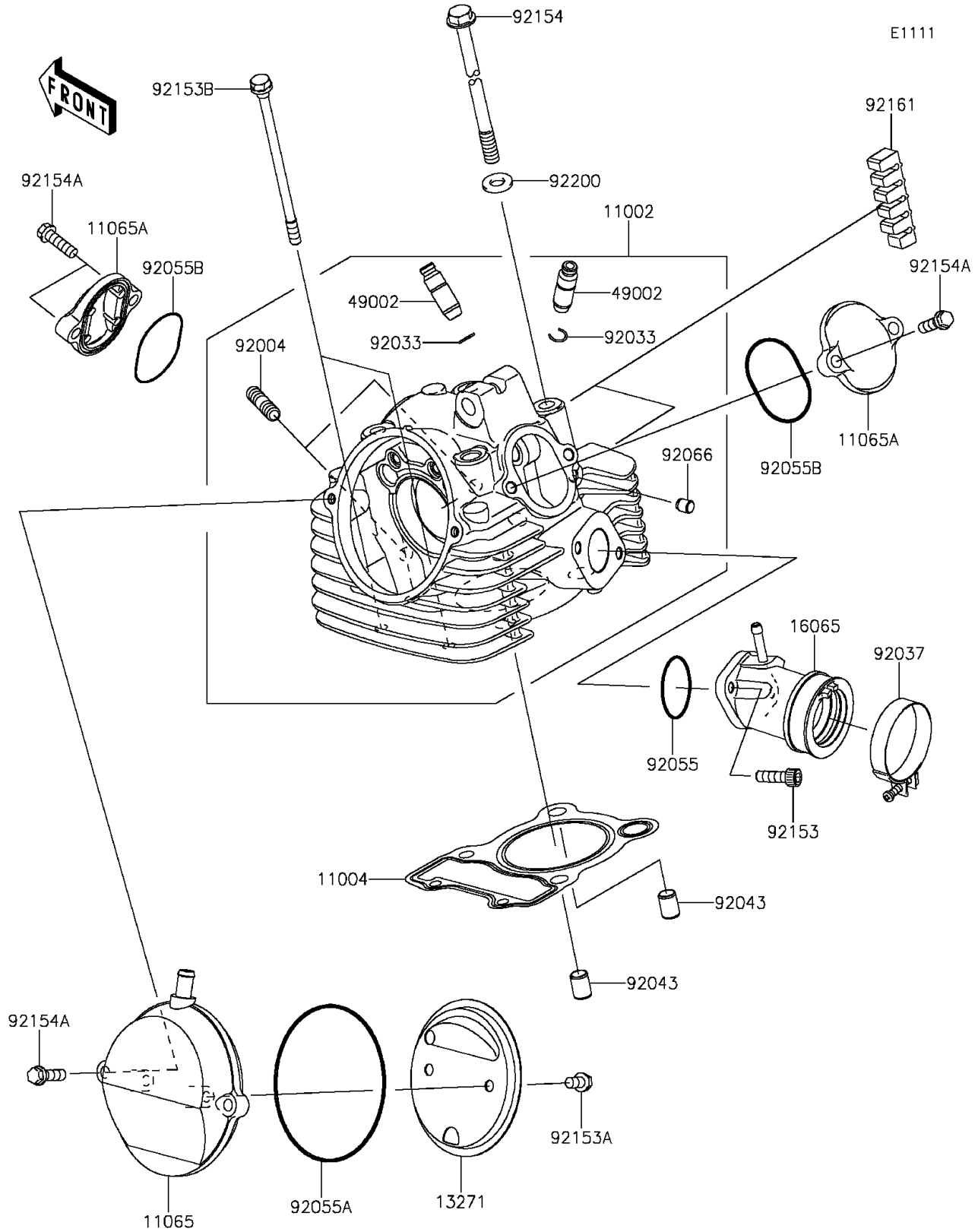


## 2014 KLX® 150L PARTS DIAGRAM

Cylinder Head



## 2014 KLX® 150L PARTS LIST

### Cylinder Head

ITEM NAME	PART NUMBER	QUANTITY
HEAD-ASSY-CYLINDER (Ref # 11002)	11002-0104	1
GASKET-HEAD (Ref # 11004)	11004-0093	1
CAP (Ref # 11065)	11065-0799	1
CAP, VALVE, ADJUSTING (Ref # 11065A)	11065-0800	1
PLATE, BREATHER (Ref # 13271)	13271-1844	1
HOLDER-CARBURETOR (Ref # 16065)	16065-0061	1
GUIDE-VALVE (Ref # 49002)	49002-0019	1
STUD, 8X22 (Ref # 92004)	92004-0722	1
RING-SNAP (Ref # 92033)	92033-1247	1
CLAMP (Ref # 92037)	92037-1305	1
PIN, 8.2X10X14 (Ref # 92043)	92043-0100	1
RING-O, 32X1.9 (Ref # 92055)	92055-0191	1
RING-O, 86X1.9 (Ref # 92055A)	92055-0202	1
RING-O (Ref # 92055B)	92055-1697	1
PLUG, OIL LINE, 7.2X8 (Ref # 92066)	92066-1012	1
BOLT, 6X20 (Ref # 92153)	92153-0481	1
BOLT, 6X10 (Ref # 92153A)	92153-1140	1
BOLT, FLANGED, 6X110 (Ref # 92153B)	92153-1970	1
BOLT, FLANGED, 8X22 (Ref # 92154)	92154-1155	1
BOLT, FLANGED, 6X20 (Ref # 92154A)	92154-1219	1
DAMPER, CYLINDER HEAD (Ref # 92161)	92161-0789	1
WASHER, 8.2X17X2.3 (Ref # 92200)	92200-1631	1