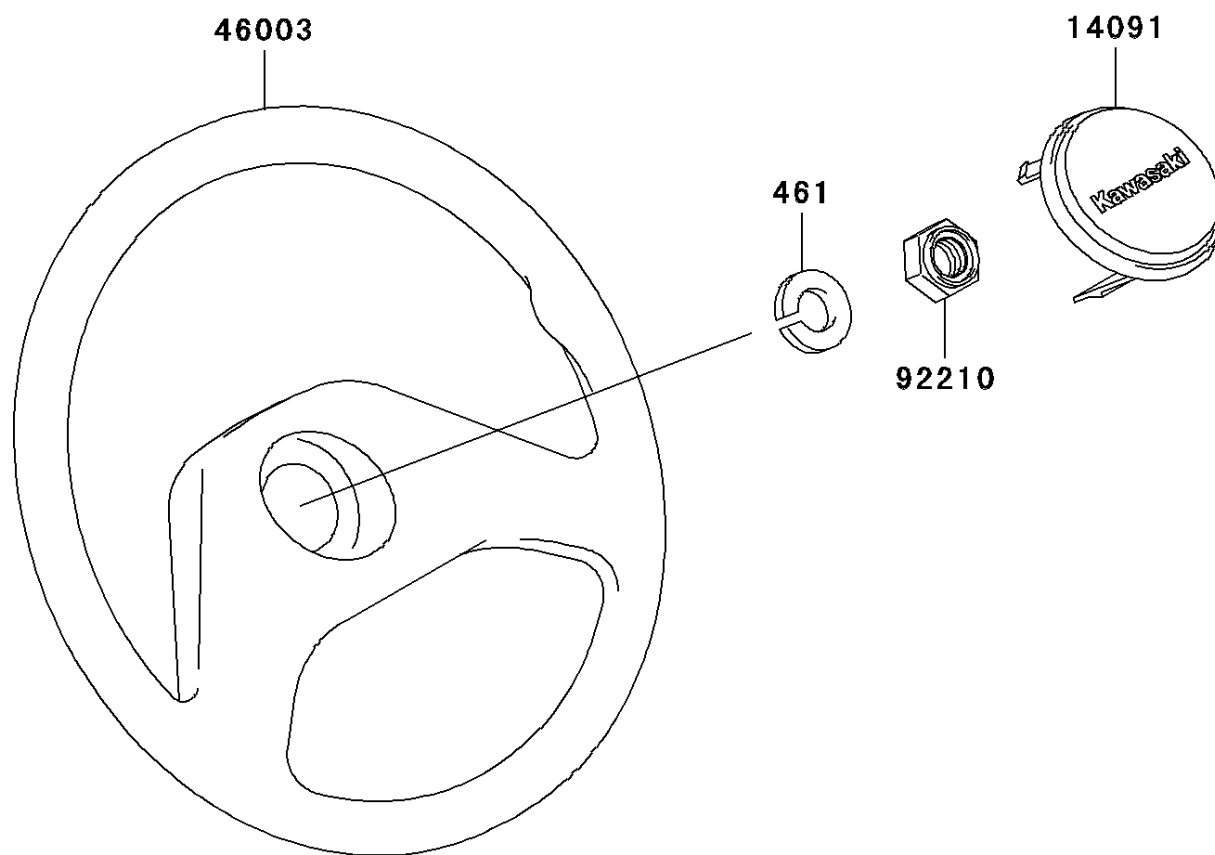


## 2009 MULE™ 4010 4x4 Hardwoods Green HD® PARTS DIAGRAM

Steering Wheel

F2311



## 2009 MULE™ 4010 4x4 Hardwoods Green HD® PARTS LIST

Steering Wheel

ITEM NAME	PART NUMBER	QUANTITY
WASHER-SPRING,12MM (Ref # 461)	461DA1200	1
COVER,HORN SWITCH (Ref # 14091)	14091-1247	1
HANDLE (Ref # 46003)	46003-1308	1
NUT,LOCK,12MM (Ref # 92210)	92210-1249	1