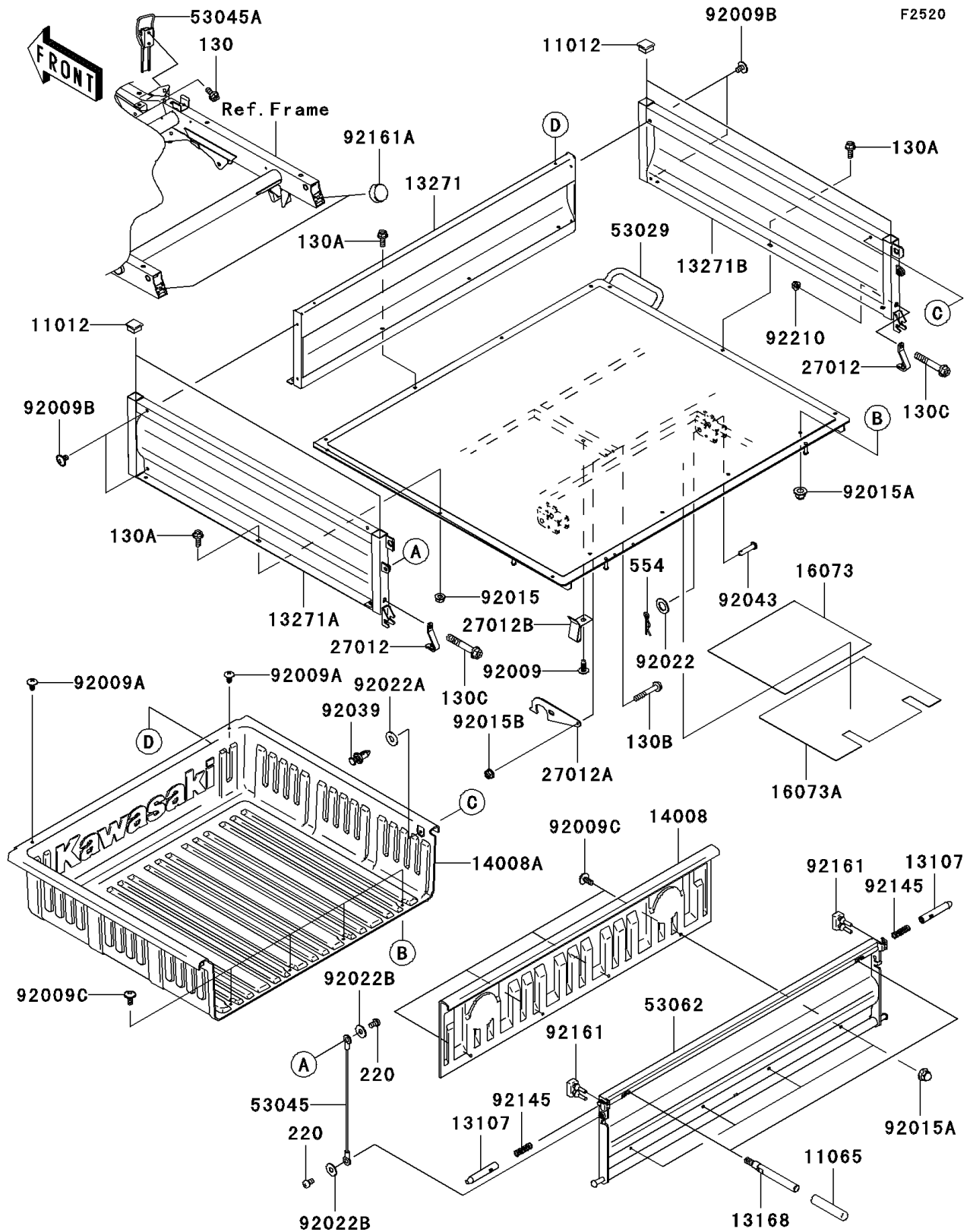


## 2006 Mule™ 610 4x4 Hardwoods Green HD® PARTS DIAGRAM

Carrier(s) (C6F/C7F)



## 2006 Mule™ 610 4x4 Hardwoods Green HD® PARTS LIST

Carrier(s)(C6F/C7F)

| ITEM NAME                                  | PART NUMBER    | QUANTITY |
|--|----------------|----------|
| BOLT-FLANGED,6X14 (Ref # 130)              | 130BB0614      | 1        |
| BOLT-FLANGED,6X16 (Ref # 130A)             | 130BB0616      | 1        |
| BOLT-FLANGED,6X40 (Ref # 130B)             | 130BB0640      | 1        |
| BOLT-FLANGED,8X50 (Ref # 130C)             | 130BB0850      | 1        |
| SCREW-PAN-CROSS,6X10 (Ref # 220)           | 220AB0610      | 1        |
| PIN-SNAP,12MM (Ref # 554)                  | 554DA1200      | 1        |
| CAP (Ref # 11012)                          | 11012-1784     | 1        |
| CAP (Ref # 11065)                          | 11065-0126     | 1        |
| SHAFT (Ref # 13107)                        | 13107-0082     | 1        |
| LEVER (Ref # 13168)                        | 13168-0090     | 1        |
| PLATE,CARRIER,SIDE,FR,BLACK (Ref # 13271)  | 13271-0385-10  | 1        |
| PLATE,CARRIER,SIDE,LH,GREEN (Ref # 13271A) | 13271-0527-826 | 1        |
| PLATE,CARRIER,SIDE,RH,GREEN (Ref # 13271B) | 13271-0528-826 | 1        |
| LINER,TAIL GATE (Ref # 14008)              | 14008-0010     | 1        |
| LINER,CARRIER BED (Ref # 14008A)           | 14008-0012     | 1        |
| INSULATOR,CARRIER (Ref # 16073)            | 16073-0039     | 1        |
| INSULATOR,CARRIER (Ref # 16073A)           | 16073-0040     | 1        |
| HOOK,TAIL GATE (Ref # 27012)               | 27012-0022     | 1        |
| HOOK (Ref # 27012A)                        | 27012-0044     | 1        |
| HOOK,CARRIER (Ref # 27012B)                | 27012-1445     | 1        |
| CARRIER,BLACK (Ref # 53029)                | 53029-0024-10  | 1        |
| HOOK-ASSY,TAIL GATE (Ref # 53045)          | 53045-0006     | 1        |
| HOOK-ASSY (Ref # 53045A)                   | 53045-1063     | 1        |
| GATE-TAIL,C.H.GREEN (Ref # 53062)          | 53062-0004-826 | 1        |
| SCREW,TAPPING,6X16 (Ref # 92009)           | 92009-1166     | 1        |
| SCREW,6X12 (Ref # 92009A)                  | 92009-1480     | 1        |
| SCREW,6X10 (Ref # 92009B)                  | 92009-1661     | 1        |
| SCREW,6X14 (Ref # 92009C)                  | 92009-1662     | 1        |
| NUT,FLANGED,6MM,BLACK (Ref # 92015)        | 92015-1233     | 1        |

## 2006 Mule™ 610 4x4 Hardwoods Green HD® PARTS LIST

Carrier(s)(C6F/C7F)

| ITEM NAME                              | PART NUMBER | QUANTITY |
|--|-------------|----------|
| NUT,LOCK 6MM (Ref # 92015A)            | 92015-1262  | 1        |
| NUT,LOCK,FLANGED,6MM (Ref # 92015B)    | 92015-1675  | 1        |
| WASHER,12.5X22X1.2 (Ref # 92022)       | 92022-072   | 1        |
| WASHER,8.5X20X1.6,BLACK (Ref # 92022A) | 92022-1317  | 1        |
| WASHER,7X18X1.2 (Ref # 92022B)         | 92022-1545  | 1        |
| RIVET (Ref # 92039)                    | 92039-1229  | 1        |
| PIN,12X54 (Ref # 92043)                | 92043-1451  | 1        |
| SPRING,TENSIONER (Ref # 92145)         | 92145-1215  | 1        |
| DAMPER (Ref # 92161)                   | 92161-0258  | 1        |
| DAMPER,SEAT (Ref # 92161A)             | 92161-1065  | 1        |
| NUT,FLANGED,8MM (Ref # 92210)          | 92210-0555  | 1        |