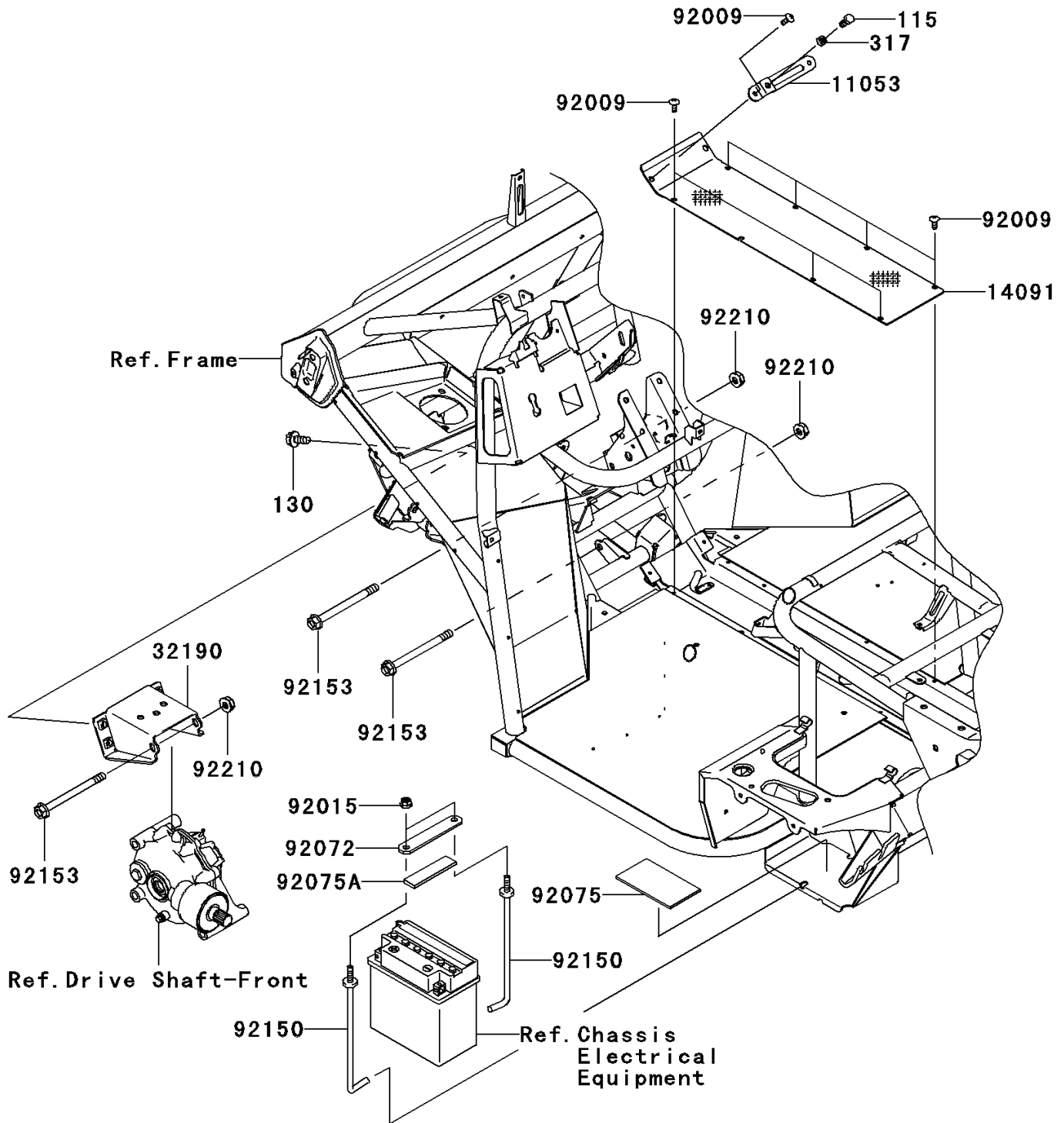


## 2006 Mule™ 610 4x4 Hardwoods Green HD® PARTS DIAGRAM

Engine Mount

F2122



## 2006 Mule™ 610 4x4 Hardwoods Green HD® PARTS LIST

Engine Mount

| ITEM NAME                            | PART NUMBER | QUANTITY |
|--------------------------------------|-------------|----------|
| BOLT-SMALL-UPSET,8X20 (Ref # 115)    | 115BA0820   | 1        |
| BOLT-FLANGED,10X20 (Ref # 130)       | 130BA1020   | 1        |
| NUT-HEX-SMALL,8MM (Ref # 317)        | 317BA0800   | 1        |
| BRACKET,THROTTLE LEVER (Ref # 11053) | 11053-1670  | 1        |
| COVER,FLOOR,CNT (Ref # 14091)        | 14091-0390  | 1        |
| BRACKET-ENGINE (Ref # 32190)         | 32190-0163  | 1        |
| SCREW,TAPPING,6X16 (Ref # 92009)     | 92009-1166  | 1        |
| NUT,FLANGED,8MM (Ref # 92015)        | 92015-1406  | 1        |
| BAND,BATTERY (Ref # 92072)           | 92072-1233  | 1        |
| DAMPER (Ref # 92075)                 | 92075-1076  | 1        |
| DAMPER (Ref # 92075A)                | 92075-1214  | 1        |
| BOLT,BATTERY (Ref # 92150)           | 92150-1293  | 1        |
| BOLT,FLANGED,10X120 (Ref # 92153)    | 92153-7502  | 1        |
| NUT,LOCK,FLANGED,10MM (Ref # 92210)  | 92210-0276  | 1        |