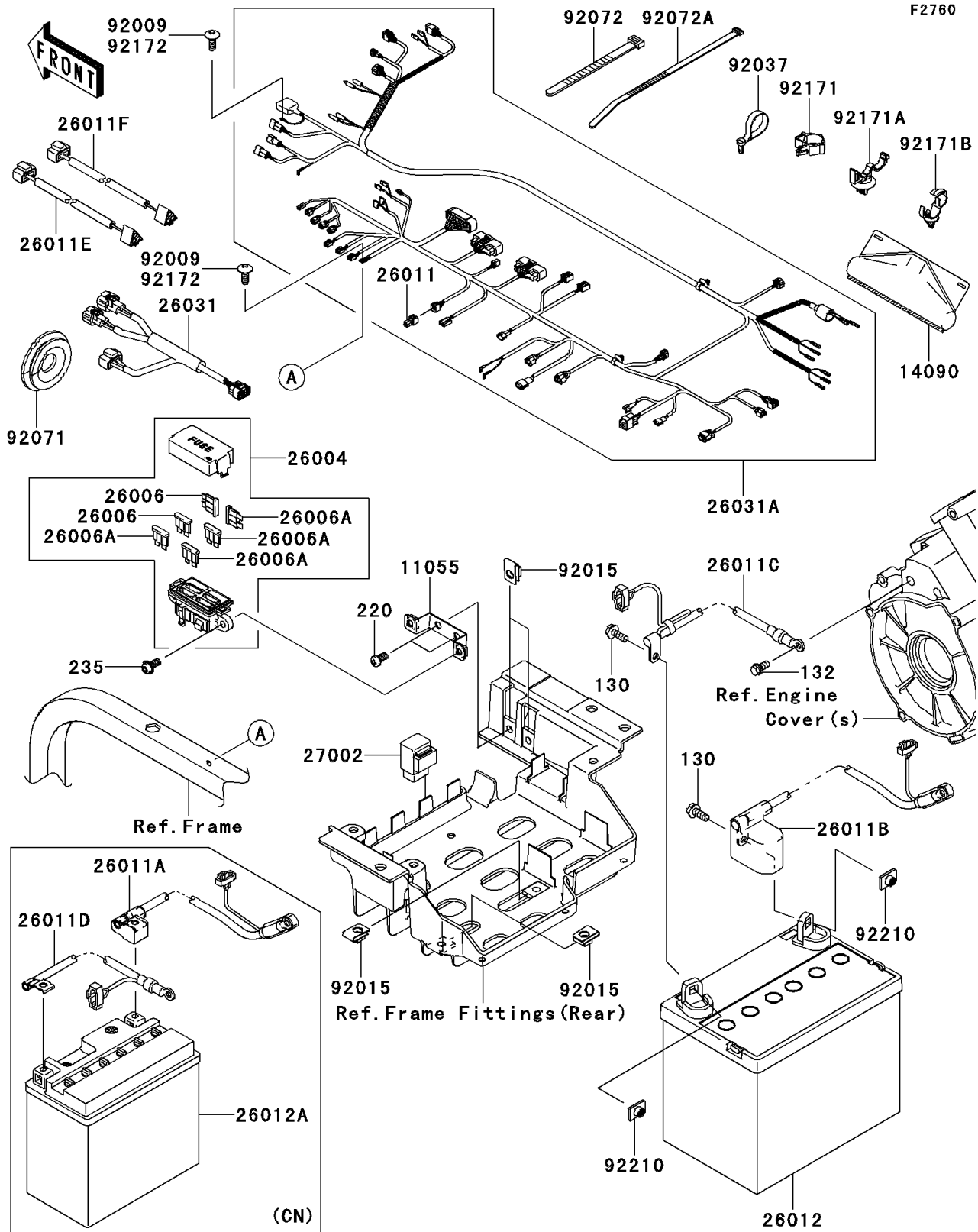


2010 Teryx® 750 FI 4x4 PARTS DIAGRAM

Chassis Electrical Equipment



2010 Teryx® 750 FI 4x4 PARTS LIST

Chassis Electrical Equipment

| ITEM NAME | PART NUMBER | QUANTITY |
|---|-------------|----------|
| BRACKET,FUSE&CONTROL UNIT (Ref # 11055) | 11055-1391 | 1 |
| COVER,COUPLER (Ref # 14090) | 14090-1331 | 1 |
| FUSE-ASSY (Ref # 26004) | 26004-0016 | 1 |
| FUSE,BLADE,30A,GREEN (Ref # 26006) | 26006-0004 | 1 |
| FUSE,BLADE,10A,RED (Ref # 26006A) | 26006-0005 | 1 |
| WIRE-LEAD (Ref # 26011) | 26011-0037 | 1 |
| WIRE-LEAD,HEAD LAMP,LH (Ref # 26011E) | 26011-0276 | 1 |
| WIRE-LEAD,HEAD LAMP,RH (Ref # 26011F) | 26011-0277 | 1 |
| HARNESS,SUB (Ref # 26031) | 26031-0752 | 1 |
| HARNESS,MAIN (Ref # 26031A) | 26031-0931 | 1 |
| RELAY-ASSY (Ref # 27002) | 27002-1062 | 1 |
| SCREW,TAPPING,6X16 (Ref # 92009) | 92009-1166 | 1 |
| NUT,6MM (Ref # 92015) | 92015-1602 | 1 |
| CLAMP,SPEED,L=80.5 (Ref # 92037) | 92037-1903 | 1 |
| GROMMET (Ref # 92071) | 92071-0030 | 1 |
| BAND,L=123 (Ref # 92072) | 92072-030 | 1 |
| BAND,L=292.1 (Ref # 92072A) | 92072-3509 | 1 |
| CLAMP,BRAKE HOSE (Ref # 92171) | 92171-0316 | 1 |
| CLAMP (Ref # 92171A) | 92171-0453 | 1 |
| CLAMP,DIA=13 (Ref # 92171B) | 92171-1415 | 1 |
| BOLT-FLANGED-SMALL,6X12 (Ref # 132) | 132BD0612 | 1 |
| SCREW-PAN-CROS,6X12 (Ref # 220) | 220AA0612 | 1 |
| SCREW-PAN-WP-CROS,6X14 (Ref # 235) | 235AA0614 | 1 |
| WIRE-LEAD,BATTERY(+) (Ref # 26011A) | 26011-0130 | 1 |
| WIRE-LEAD,BATTERY(+) (Ref # 26011B) | 26011-0190 | 1 |
| WIRE-LEAD,BATTERY(-) (Ref # 26011C) | 26011-0231 | 1 |
| WIRE-LEAD,BATTERY(-) (Ref # 26011D) | 26011-0269 | 1 |
| BATTERY,12V 14AH (Ref # 26012) | 26012-0107 | 1 |
| BATTERY,MF,KMX14-BS,12V 12AH (Ref # 26012A) | 26012-1414 | 1 |

2010 Teryx® 750 FI 4x4 PARTS LIST

Chassis Electrical Equipment

| ITEM NAME | PART NUMBER | QUANTITY |
|-------------------------------|-------------|----------|
| NUT,PLATE,6MM (Ref # 92210) | 92210-1352 | 1 |
| BOLT-FLANGED,6X16 (Ref # 130) | 130BA0616 | 1 |