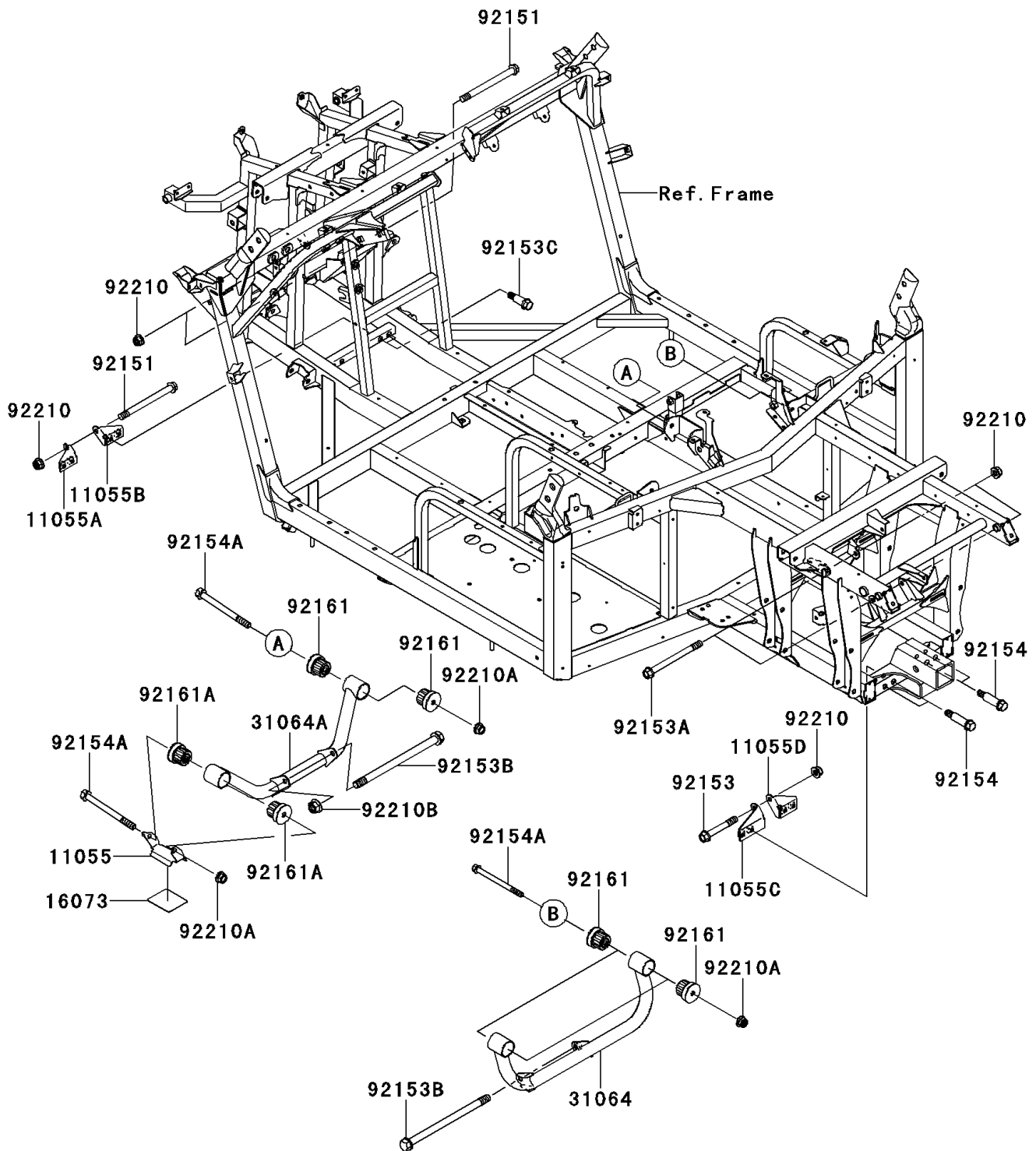


2010 Teryx® 750 FI 4x4 PARTS DIAGRAM

Engine Mount

F2122



2010 Teryx® 750 FI 4x4 PARTS LIST

Engine Mount

ITEM NAME	PART NUMBER	QUANTITY
BRACKET (Ref # 11055)	11055-1127	1
BRACKET,FRONT DIFF,LH (Ref # 11055A)	11055-1306	1
BRACKET,FRONT DIFF,RH (Ref # 11055B)	11055-1307	1
BRACKET,REAR DIFF,LH (Ref # 11055C)	11055-1308	1
BRACKET,REAR DIFF,RH (Ref # 11055D)	11055-1309	1
INSULATOR (Ref # 16073)	16073-0061	1
PIPE-COMP,RR (Ref # 31064)	31064-0158	1
PIPE-COMP,FR (Ref # 31064A)	31064-0159	1
BOLT,FLANGED,10X120 (Ref # 92151)	92151-1914	1
BOLT,FLANGED,10X70 (Ref # 92153)	92153-0871	1
BOLT,FLANGED,10X120 (Ref # 92153A)	92153-0872	1
BOLT,FLANGED,12X190 (Ref # 92153B)	92153-1272	1
BOLT,FLANGED,10X38 (Ref # 92153C)	92153-1742	1
BOLT,FLANGED,10X51.1 (Ref # 92154)	92154-0195	1
BOLT,FLANGED,10X105 (Ref # 92154A)	92154-0227	1
DAMPER (Ref # 92161)	92161-0423	1
DAMPER (Ref # 92161A)	92161-0571	1
NUT,LOCK,FLANGED,10MM (Ref # 92210)	92210-1081	1
NUT,LOCK,FLANGED,10MM (Ref # 92210A)	92210-1139	1
NUT,LOCK,FLANGED,12MM (Ref # 92210B)	92210-1150	1