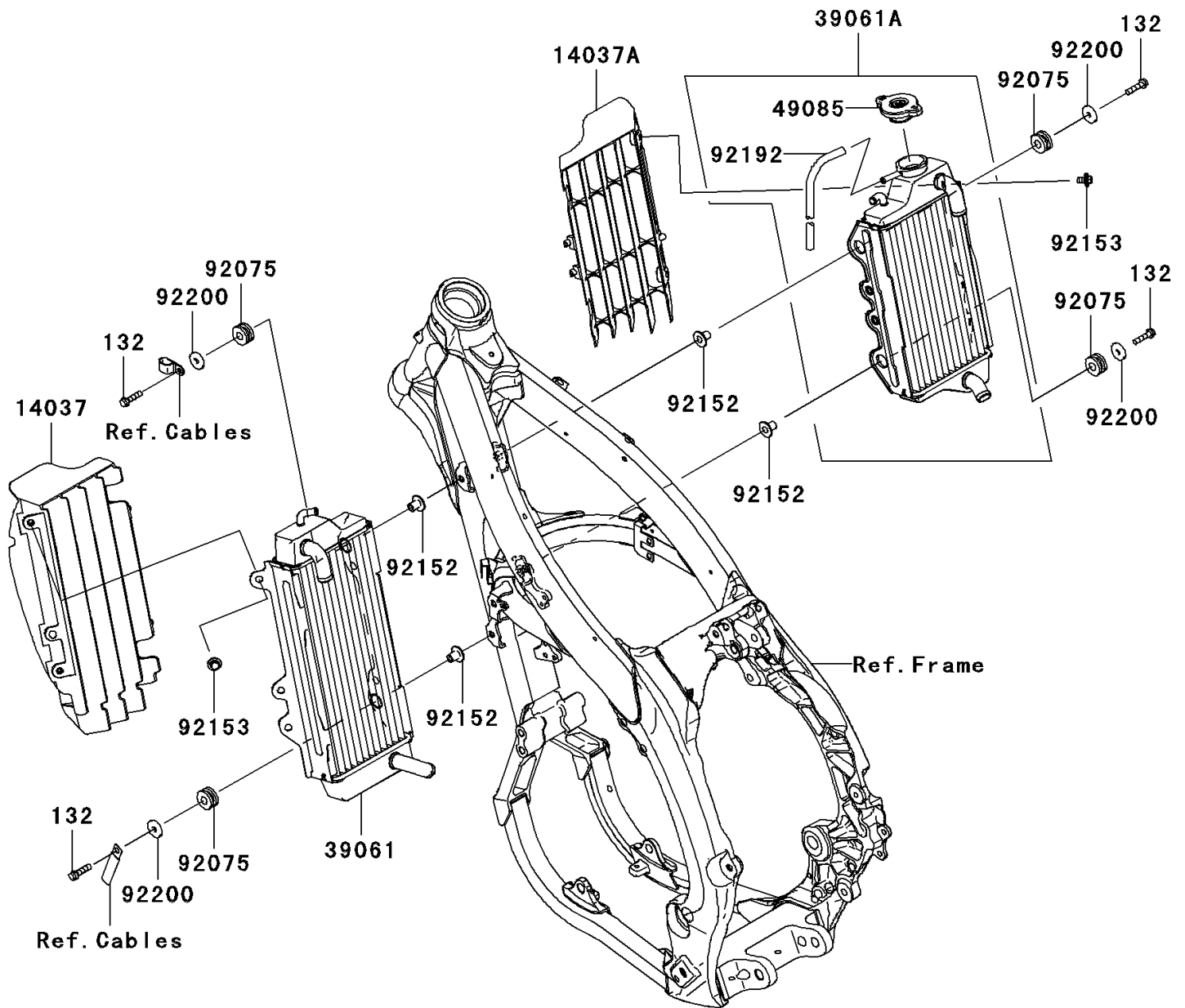


## 2010 KX™450F PARTS DIAGRAM

Radiator

E3032



## 2010 KX™450F PARTS LIST

Radiator

ITEM NAME	PART NUMBER	QUANTITY
BOLT-FLANGED-SMALL,6X25 (Ref # 132)	132BB0625	1
SCREEN,LH,EBONY (Ref # 14037)	14037-0102-6C	1
SCREEN,RH,EBONY (Ref # 14037A)	14037-0103-6C	1
RADIATOR-ASSY,LH (Ref # 39061)	39061-0174	1
RADIATOR-ASSY,RH (Ref # 39061A)	39061-0175	1
CAP-ASSY-PRESSURE (Ref # 49085)	49085-1078	1
DAMPER (Ref # 92075)	92075-209	1
COLLAR,6.3X9.5(20)X14.2 (Ref # 92152)	92152-0379	1
BOLT,6X12 (Ref # 92153)	92153-0503	1
TUBE,6X9X640 (Ref # 92192)	92192-0167	1
WASHER,6.5X22X2.3 (Ref # 92200)	92200-0271	1