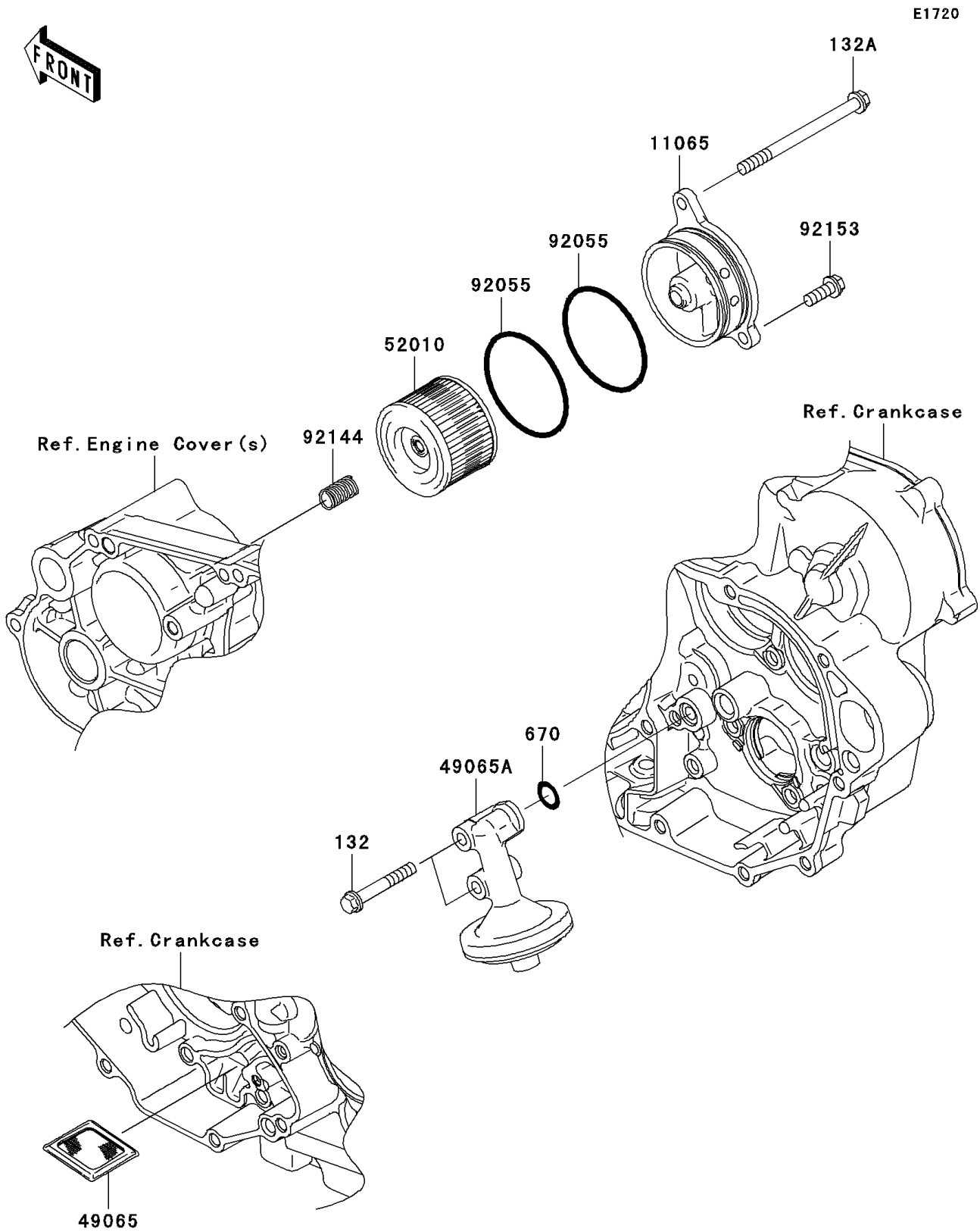


2010 KX™450F PARTS DIAGRAM

Oil Filter



2010 KX™450F PARTS LIST

Oil Filter

| ITEM NAME | PART NUMBER | QUANTITY |
|--------------------------------------|-------------|----------|
| BOLT-FLANGED-SMALL,6X40 (Ref # 132) | 132BA0640 | 1 |
| BOLT-FLANGED-SMALL,6X80 (Ref # 132A) | 132BC0680 | 1 |
| O RING (Ref # 670) | 670D2010 | 1 |
| CAP,OIL FILTER (Ref # 11065) | 11065-0107 | 1 |
| FILTER-OIL,STRAINER (Ref # 49065) | 49065-0019 | 1 |
| FILTER-OIL (Ref # 49065A) | 49065-0022 | 1 |
| ELEMENT-OIL FILTER (Ref # 52010) | 52010-1053 | 1 |
| RING-O,52.6X2.4 (Ref # 92055) | 92055-1577 | 1 |
| SPRING (Ref # 92144) | 92144-1761 | 1 |
| BOLT,6X16 (Ref # 92153) | 92153-0695 | 1 |