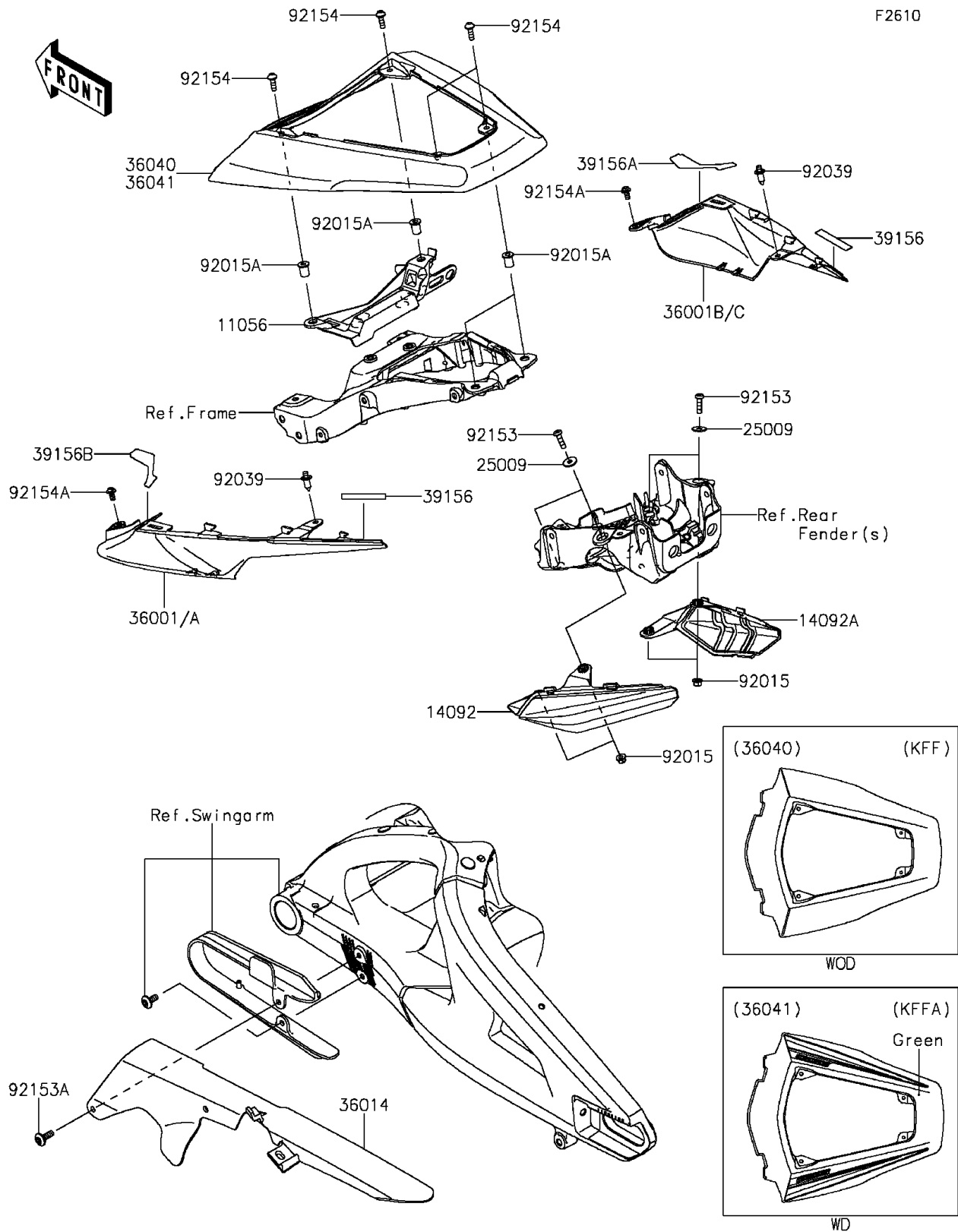


2015 NINJA® ZX™10R ABS PARTS DIAGRAM

Side Covers/Chain Cover



2015 NINJA® ZX™10R ABS PARTS LIST

Side Covers/Chain Cover

| ITEM NAME | PART NUMBER | QUANTITY |
|---|----------------|----------|
| BRACKET (Ref # 11056) | 11056-0601 | 1 |
| COVER,RR SIGNAL,LH (Ref # 14092) | 14092-0784 | 1 |
| COVER,RR SIGNAL,RH (Ref # 14092A) | 14092-0785 | 1 |
| WASHER,5.2X16X1.2 (Ref # 25009) | 25009-004 | 1 |
| COVER-SIDE,TAIL,LH,F.EBONY (Ref # 36001A) | 36001-0580-45L | 1 |
| COVER-SIDE,TAIL,RH,F.EBONY (Ref # 36001C) | 36001-0581-45L | 1 |
| CASE-CHAIN (Ref # 36014) | 36014-0062 | 1 |
| COVER-TAIL,M.M.C.GRAY (Ref # 36040) | 36040-0124-51B | 1 |
| PAD,10X50X0.2 (Ref # 39156) | 39156-0712 | 1 |
| PAD,SIDE COVER,RH (Ref # 39156A) | 39156-0743 | 1 |
| PAD,SIDE COVER,LH (Ref # 39156B) | 39156-0744 | 1 |
| NUT,LOCK,FLANGED,5MM (Ref # 92015) | 92015-1752 | 1 |
| NUT,WELL,5MM (Ref # 92015A) | 92015-1757 | 1 |
| RIVET (Ref # 92039) | 92039-0068 | 1 |
| BOLT,SOCKET,5X18 (Ref # 92153) | 92153-0370 | 1 |
| BOLT,SOCKET,6X14 (Ref # 92153A) | 92153-0422 | 1 |
| BOLT,SOCKET,5X16 (Ref # 92154) | 92154-0209 | 1 |
| BOLT,SOCKET,5X10 (Ref # 92154A) | 92154-0211 | 1 |